

Manual, complete

745 - 34 - 2

Sewing unit for runstitching of piped flap and welt pocket openings and pocket corners

Working methods: A, B, D, F

[Operating Instructions](#)

1

Installation Instructions

2

Service Instructions

3

Instructions for Programming DAC

4

745 - 34 - 2

Manual, complete

Contents

Operating Instructions
Installation Instructions
Service Instructions
Instructions for Programming DAC

Interconnection-diagram

9870 745154 B
9890 745002 B

Pneumatic circuit plan

9770 745005

Foreword and general safety instructions

Part 1: Operating Instructions 745-34-2

1.	Product Description	
1.1	Description of proper use	5
1.2	Brief description	5
1.3	Technical data	7
1.4	Optional equipment	8
2.	Operation	
2.1	Swinging the folding station aside.	11
2.2	Pushing the covering hood back and removing the fabric sliding sheet	12
2.3	Tilting the machine head up	15
2.4	Needles and threads	16
2.5	Threading the needle thread	19
2.6	Winding the hook thread	20
2.7	Remaining thread monitor	21
2.8	Changing the bobbins	22
2.9	Thread tension	24
2.10	Stacking control	25
2.11	Slanted pocket corners	26
2.11.1	Swinging the corner knife station out / in	27
2.11.2	Setting the corner knives (Manual corner knife station).	28
2.12	Reference position - Starting the sewing cycle - Quick stop	30
2.13	Flap and piping projection	31
2.14	Piping strip length	32
2.15	Working methods.	33
2.15.1	Working method A (Production of trousers)	34
2.15.2	Sewing with flap	37
2.15.2.1	Sewing without light barrier	37
2.15.2.2	Sewing with light barrier	39
2.15.3	Working method A (Production of jackets) Piped pockets, manual positioning of piping strip, flaps and other additional parts	40
2.15.4	Working method B Piped pockets, automatic feed of the piping strip, without/with incision of the piping ends	46
2.15.5	Working method D Breast welt pockets, automatic feed and matching of the breast welt	56
2.15.6	Working method F Piped pockets, automatic feed of the piping strip, incision of the piping ends, matching and feed of the flap	62
2.15.7	Folder monitoring	66
2.16	Functions and Operation of the optional equipment	67
2.16.1	Automatic incision device for piping ends	67
2.16.2	Downholder, pocket bag and waistband clamp	70
2.16.3	Feeding devices for flaps, pocket bags etc.	71

2.16.4	Throw-over stacker	72
2.16.5	Roll-off device	74
2.16.6	Blow-out device	75
2.16.7	Bundle clamp and roll-off device	76
2.16.8	Tape feed and automatic cutting.	77
2.16.9	Endless zipper device.	80
2.16.10	Vacuum device	82
2.16.11	Working method B with set of parts "Pocket bag on flap"	83
2.16.12	Zipper feeders for method B	86
2.16.13	Set of parts "Shaped guide Lining loop triangle" for 745-34-2 methods B and F	87
2.16.14	Smoother for 745-34-2 A and B	88
3.	Maintenance	
3.1	Cleaning	88
3.2	Weekly lubrication	91

1. Product description

1.1 Description of proper use

The 745-34-2 is a sewing unit which can properly be used for sewing light to medium-weight material. Such material is, as a rule, material made of textile fibres or leather. These materials are used in the garment industry.

In general only dry material should be sewn on this machine. The material must not contain any hard objects.

The seam is generally made with core thread, polyester fibre or cotton threads.

The dimensions for needle and hook threads can be taken from the table in chapter 2.4.

Before using any other threads it is necessary to estimate the consequential dangers and to take the respective safety measures, if required.

This sewing unit must only be installed and operated in dry and well-kept rooms. If the sewing unit is used in other rooms, which are not dry and well-kept, further measures to be agreed upon may become necessary (see EN 60204-31 : 1999).

We, as a manufacturer of industrial sewing machines, assume that at least semi-skilled operating personnel will be working on our products so that all usual operations and, where applicable, their risks are presumed to be known.

1

1.2 Brief description

The **Dürkopp Adler 745-34-2** is a sewing unit for automatic runstitching of piped, flap and welt pocket openings with rectangular or slanted pocket corners.

The slanted pocket corners result from the seam offset of the two seam rows. At the seam beginning and seam end it is possible to sew with different slants.

Dependent on the working method different feeding devices, corner knife stations and optional equipment are used.

Machine head

- Twin needle lockstitch version
- Needle bars can be switched separately or together
- Large vertical hooks
- Externally driven center knife, speed and circuit timing programmable
- Thread trimming device for needle and hook threads
- Needle thread monitor
- Photoelectric remaining thread monitor for the hook threads
- Sewing drive as DC direct drive

Step motors for the material feed and the length adjustment of the corner cutting device

The step motor technology results in short machine times and guarantees an absolutely precise corner incision. Thus, it contributes to a pocket quality as yet unequalled and combined with high productivity.

New generation of “DAC III” controls (DÜRKOPP ADLER Control)

The graphic user guidance exclusively occurs via internationally comprehensible symbols and text lines in the corresponding language. The various symbols are combined in groups within the menu structure of the sewing and test programs.

The ease of use makes short training times possible.

The user can combine 99 freely programmable pocket programs with up to 20 seam patterns.

20 pocket sequences can be called up.

Every pocket sequence can be combined of up to 8 pocket programs in any order whatever.

All slants suitable for practical application can be programmed by the operator at the touch of a button.

The time-consuming adjustment of the corner knives and the tiresome programming of seam offsets are not required.

The comprehensive test and monitoring system **MULTITEST** is integrated in the DAC.

A microcomputer does the control tasks, monitors the sewing cycle and signals operating faults and malfunctions on the display.

Optional equipment

By means of a flexible system of optional equipment the sewing unit can be equipped optimally and economically corresponding to the respective application.

See chapter 1.4 (Equipment of the 745-34-2).

Sewing equipment and folders

Data concerning the sewing equipment and folders for the various applications can be taken from the Equipment Sheets of cl. 745-34.

Please direct your enquiries to the **DÜRKOPP-ADLER** sales offices.

1.3 Technical data

Machine head:	Class 0246 992002
Needle system:	2134-85
Needle distance:	10, 12, 14, 16, 20, 24, 26, 30 mm
Needle size:	Nm 80 to Nm110
Threads:	see table chapter 2.4
Stitch type:	Twin needle lockstitch
Speed:	min. 2000 rpm max. 3000 rpm
Stitch length:	min. 2.0 to 3.0 mm
Number of stitches/condensed stitches:	1 - 10 stitches
Number of stitches/bartack stitch:	0 - 5 stitches
Stitch length condensed stitches / bartack:	0.5 - 3.0 mm
Pocket length:	max. 220 mm
Seam offset:	max. +/- 13 mm
Operating pressure:	6 bar
Air consumption:	approx. 6 NL per work cycle
Rated voltage:	3 x 230 / 400 V / 50/60 Hz
Rated load:	
Machine with vacuum blower	0,8 KW
Machine without vacuum blower	0,5 KW
Dimensions:	1540 x 925 x 1200 mm (L x W x H)
Working height:	790...1100 mm (upper edge of table top)
Weight:	280 kg
Rated noise level:	LC = 81 dB (A) Workstation-specific emission value according to DIN 45635-48-B-1 Stitch length: 2.5 mm Seam length: 180 mm Speed: 2750 rpm Material: double fabric 240 g/m ² Measuring point according to DIN 4895 Part 1 X = 600 mm Y = 0 mm Z = 300 mm

1.4 Optional equipment

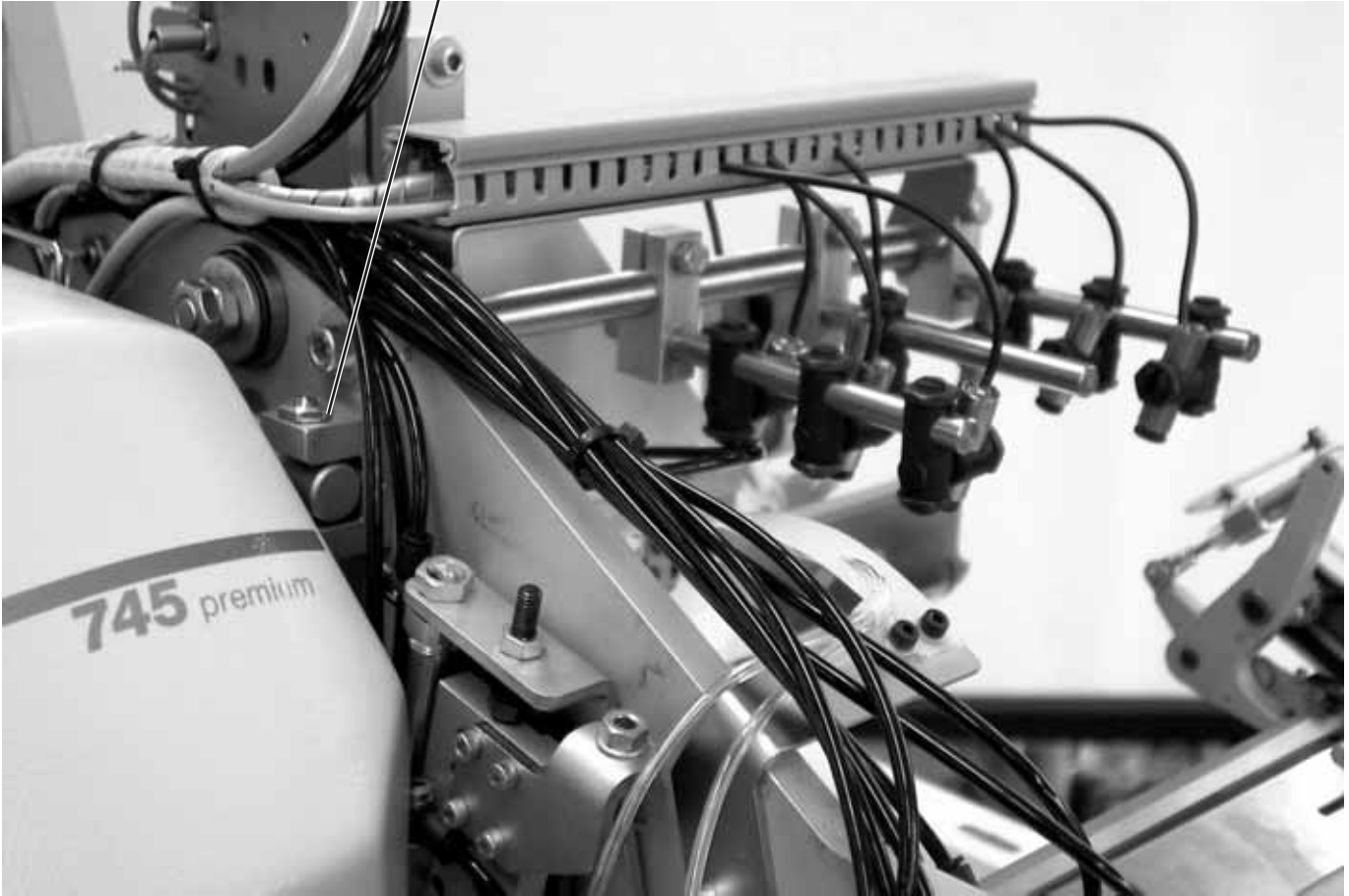
Order No.	Optional equipment	A	B	D	F
0745 597514	Downholder- pocket bag clamp Downholder for smoothing the fullness caused by darts as well as a clamping device for pocket bags	X	X		
0745 597524	Waistband clamp For smoothing the fullness. Only possible in conjunction with 0745 597514	X	X		
0745 597544	Endless zipper Scissors with roll-off device for endless zippers without slider	X			
0745 597554	Throw-over stacker To be positioned near the machine for stacking to the side or to the back. Furthermore, this throw-over stacker is equipped with an easy-to-operate height adjustment and a swivel device.	X	X	X	X
0745 597604	Blow-out device For blowing the finished workpieces out	X	X		
0745 597614	Shaped guide "Lining loop triangle" In case of inside pockets the lining loop triangle is fed automatically.		X		X
0745 597674	Table extension (large) The table extension required for the working method with bundle clamp carriage		X		
0745 597684	Table extension (small) Table extension to be used for stacking to the side	X	X	X	X
0745 597694	Bundle clamp This includes the required large table extension	X	X		
0745 597764	Right zipper feeder In conjunction with feeding device 0745 517574 For cut-to-length zippers, without slider, total width 24 mm, chain width approx. 4 mm, in case of ready-made pocket chain inside.		X		
0745 597774	Left zipper feeder In conjunction with feeding device 0745 517564 For cut-to-length zippers, without slider, total width 24 mm, chain width approx. 4 mm, in case of ready-made pocket chain inside.		X		
0745 597784	Right zipper feeder In conjunction with feeding device 0745 517574 For cut-to-length zippers, without slider, total width 24 mm, chain width approx. 4 mm, in case of ready-made pocket chain inside.		X		
0745 597794	Left zipper feeder In conjunction with feeding device 0745 517564 For cut-to-length zippers, without slider, total width 24 mm, chain width approx. 4 mm, in case of ready-made pockets chain inside.		X		

Order No.	Optional equipment	A	B	D	F
0745 597824	Smoother for the 745-34-2 A/B The smoother has the purpose to smooth the finished workpiece held by the bundle clamp. Only in combination with the table extension 0745 597674 and the roll-off device 0745 597954.	X	X		
0745 597874	Set of parts "Pocket bag on flap" NA 10 and 12 for the simultaneous attaching of two pocket bag halves and flap. Combination only in conjunction with equipment E 3103 or E 3503 for NA 10 as well as E 3107 or E 3507 for NA 12.		X		
0745 597884	Set of parts "Pocket bag / Piped pocket" for the blowing of the pocket bag or the piping pocket with equipment E 2604 or E 2606. Use only in combination with the clamp K19.	X			
0745 597934	Three-pack lasers Add-on kit: for expanding the existing 5 laser marking lamps to a maximum of 8 laser marking lamps. (With the working method F, the standard equipment includes 8 laser marking lamps).	X	X	X	X
0745 597944	Electromotoric tape feed/Automatic cutting Automatic feeding and cutting of a reinforcement strip pulled from a roll. Start time and cutting time can be programmed corresponding to the pocket.	X	X	X	X
0745 597954	Roll-off device It is used to for transporting short pieces into the stacker or to eject the pieces to be processed. The speed and the working cycle of the roll-off device can also be programmed.	X	X	X	X
0745 597964	Vacuum (side channel compressor) For an accurate positioning of the material when no in-house vacuum unit is available. The side channel compressor can be used with the basic unit.	X	X	X	X
0797 003031	Pneumatic connection package Connection hose to the pneumatic supply line with the appropriate couplings.	X	X	X	X
0745 517564	Automatic feeding, left 180 - 220 mm For the automatic feeding of piping strips and additional parts.		X		
0745 517574	Automatic feeding, right 180 - 220 mm For the automatic feeding of piping strips and additional parts.		X		



1

2



2. Operation

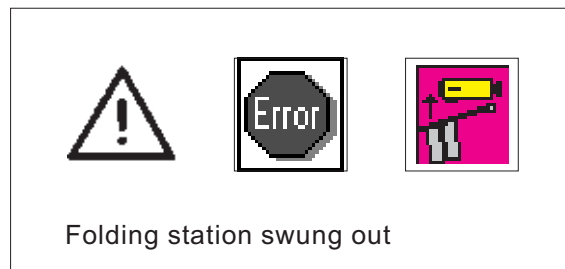
2.1 Swinging the folding station aside

For operations at the sewing point (threading the needle threads, needle change etc.) the whole folding station with folder and light barriers can be swung to the right.

- Swing the complete folding station 1 with folder to the right.

Note:

With the sewing unit switched on, a safety message appears on the screen of the control panel.



- The sewing point is freely accessible.

Swinging the folding station back

- Swing the folding station back.



ATTENTION!

After being swung back the folding station must lock in the catch 2.

2.2 Pushing the covering hood back and removing the fabric sliding sheets

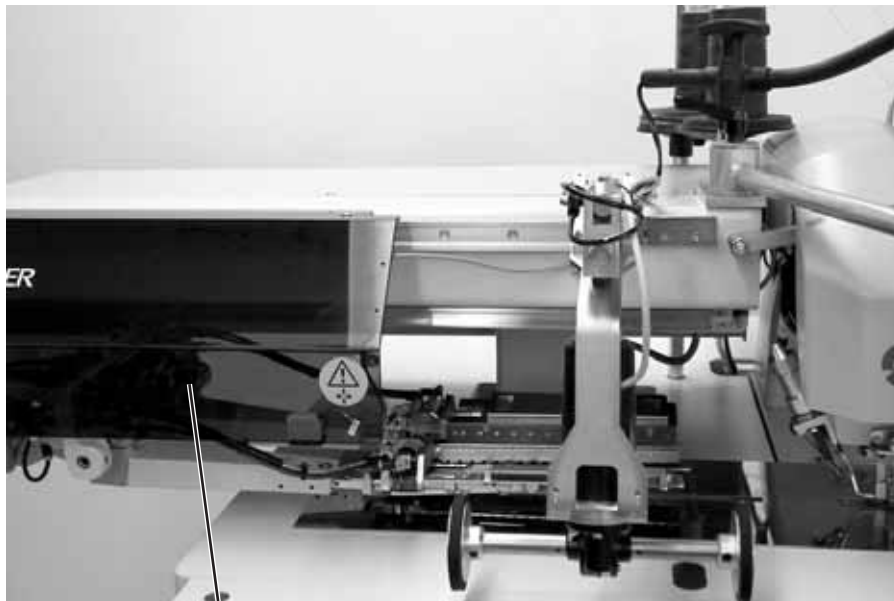


Caution: Danger of injury!

Switch the main switch off.

Push the covering hood back and remove the fabric sliding sheet only with the sewing unit switched off.

- Switch the main switch off



1

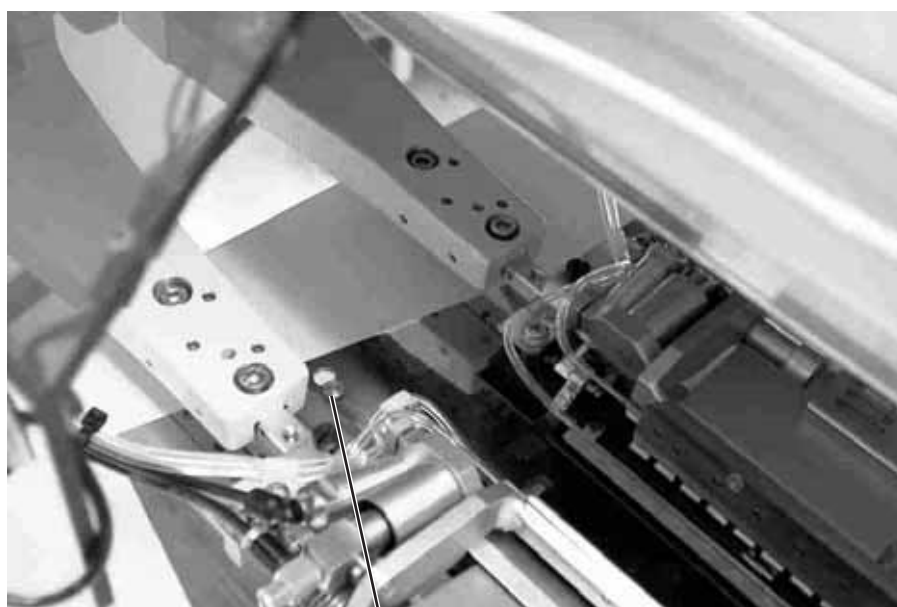
For a better accessibility of the feeding clamps the covering hood can simply be displaced.

Pushing the covering hood back

- Push the covering hood 1 to the left.
The feeding clamps are accessible.
- Push the covering hood 1 to the right again until you hear it snapping in.



2 1



3

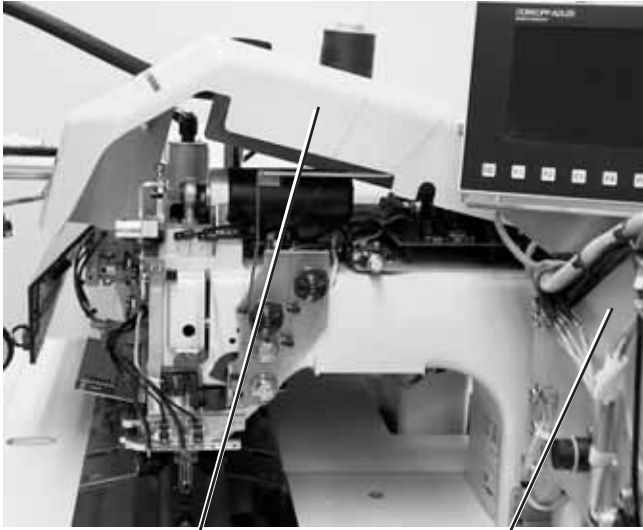
1

For changing the hook thread bobbins:

- Lift the fabric sliding sheet 2 in the area of pin 1 and swing it to the left.

For a complete removal (for maintenance and adjusting operations):

- Lift off the fabric sliding sheets at the pin 3.



1

3



4

5



6

2.3 Tilting the machine head up

For maintenance work the machine head can be tilted up.
For this purpose the transport carriage must be in its rear end position.



Caution: Danger of injury!

Switch the main switch off.

Tilting the machine head up.

- Remove the covering hood 1.
For this purpose lift the covering hood at the front so that the catch is released. Carefully lift the covering hood upwards.
- Swing the folding station 3 out by 90°.
- Swivel the locking lever 4 up.
- Lift the left fabric sliding sheet 6 at the front and swing it to the left.
- Lift the machine head in the area of head cover 5 and tilt it up carefully.
Pawl 2 snaps in additionally.
The space under the machine table is accessible for cleaning now.

Swinging the machine head back

- Hold the machine head tight in the area of head cover 5.
- Release the pawl 2.
- Swing the machine head back carefully.



Caution: Danger of breakage!

Hold the machine head tight until it is at rest completely.



- Insert the fabric sliding sheets.
- Swivel the locking lever 4 down.
- Swing the folding station 3 back and let it catch with the locking lever.
- Put on the covering hood 1 and let it catch again.

2.4 Needles and threads

Needle system:	2134-85
Recommended needle size:	Nm 90 for thin material Nm 100 for medium-weight material Nm 110 for heavy-weight material

High sewing security and good sewability are achieved with the following core threads:

- Two-ply polyester endless polyester core-spun (e.g. Epic Poly-Poly, Rasant x, Saba C, ...)
- Two-ply polyester endless cotton core-spun (e.g. Frikka, Koban, Rasant, ...)

If these threads are not available, the polyester fibre or cotton threads listed in the table can also be sewn.

Often two-ply core threads are offered by the thread manufacturers with the same designation as three-ply polyester fibre threads (3cyl.-spun). This causes uncertainty with regard to twisting and thread thickness.

When in doubt, unravel the thread and check whether it is twisted 2- or 3-ply.

The label no. 120 on the thread reel of a core thread corresponds e.g. to the thread size Nm 80/2 (see table values in brackets).

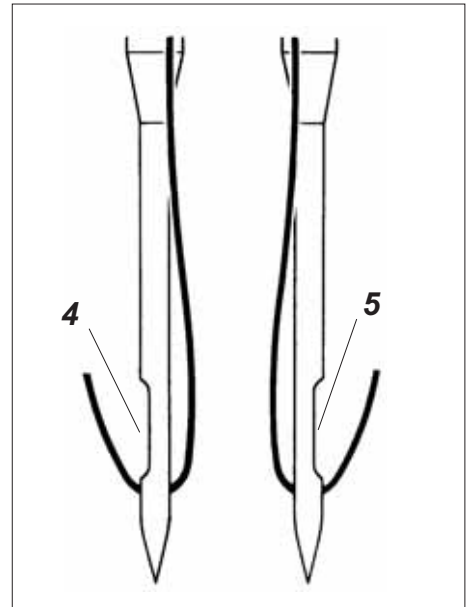
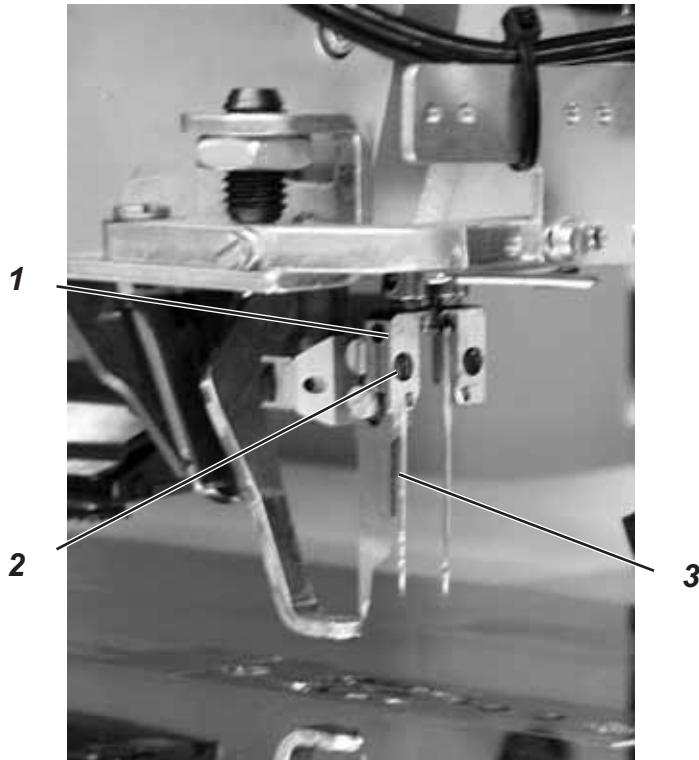
In case of monofilament threads you can use needle threads and hook threads of the same thickness. The best results are achieved with soft and elastic threads (software) of the thread thickness 130 Denier.

Recommended thread sizes:

Needle size Nm	Core thread		Core thread	
	Needle thread Polyester endless Label No.	Hook thread Polyester core-spun Label No.	Needle thread Polyester endless Label No.	Hook thread Cotton core-spun Label No.
90	120 (Nm 80/2)	120 (Nm 80/2)	120 (Nm 80/2)	120 (Nm 80/2)
100	100 (Nm 65/2)	100 (Nm 65/2)	100 (Nm 65/2)	100 (Nm 65/2)
110	75 (Nm 50/2)	75 (Nm 50/2)	75 (Nm 50/2)	75 (Nm 50/2)

Needle size Nm	Polyester fibre thread (3cyl.-spun)		Cotton thread	
	Needle thread	Hook thread	Needle thread	Hook thread
90	Nm 80/3-120/3	Nm 80/3-120/3	Ne _B 50/3-70/3	Ne _B 50/3-70/3
100	Nm 70/3-100/3	Nm 70/3-100/3	Ne _B 40/3-60/3	Ne _B 40/3-60/3
110	Nm 50/3-80/3	Nm 50/3-80/3	Ne _B 40/4-60/4	Ne _B 40/4-60/4

Changing the needles



1



Caution: Danger of injury!

Switch the main switch off.
Change the needles only with the main switch switched off.

Risk of injuries from cuts!

Do not reach into the area of the center knife 3 when changing the needles.

- Swing the folding station aside (see chapter 2.1)
The needles are freely accessible.
- Loosen screw 2 and remove the needle from the needle holder 1.
- Push the new needle into the drill-hole of the needle holder 1 as far as it will go.
ATTENTION!
Seen from the operator's side the hollow groove 4 of the left needle must point to the left and the hollow groove 5 of the right needle must point to the right (see sketch).
- Tighten screw 2.

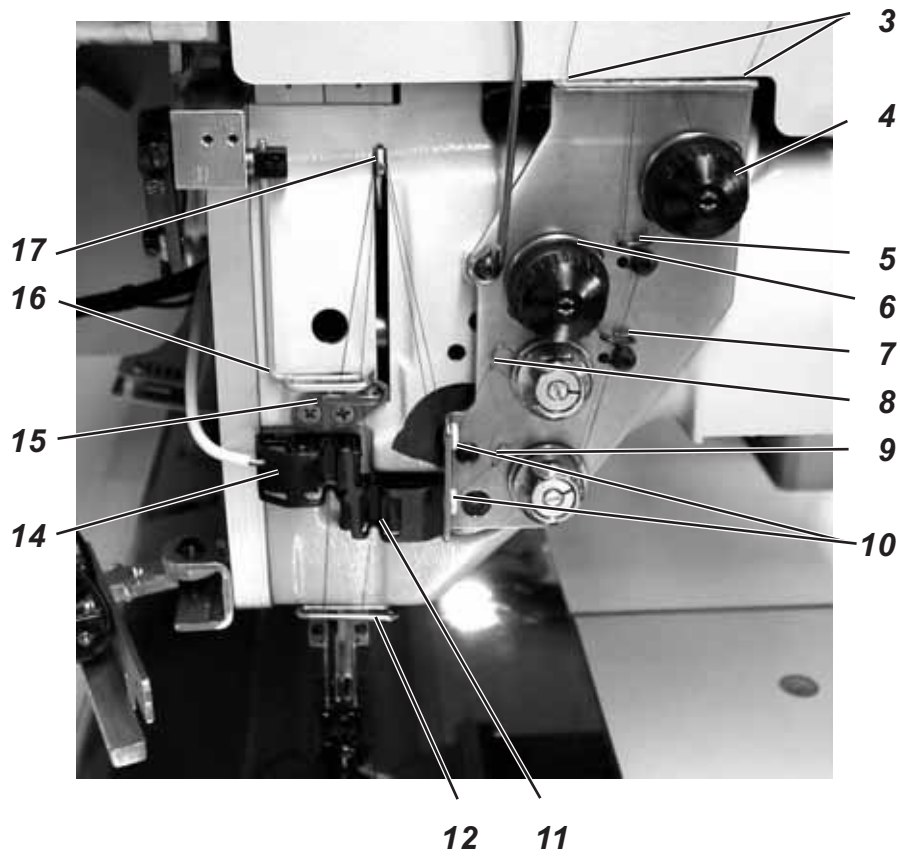
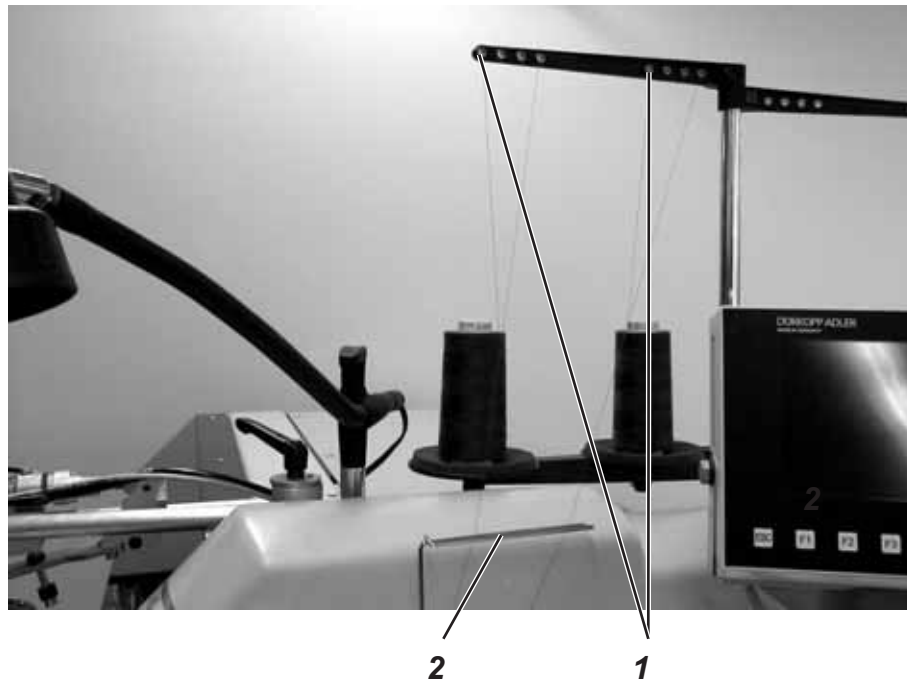


ATTENTION!

After changing to another needle size the needle protection on the hook has to be readjusted (see Service Instructions).

Note:

The standard needle size of class 745-34-2 is Nm 100.



2.5 Threading the needle thread



Caution: Danger of injury!

Switch the main switch off.
Thread the needle threads only with the sewing unit switched off.

The threading of the needle threads is done in ascending numerical order as shown in the illustrations opposite.

- Swing the folding station aside

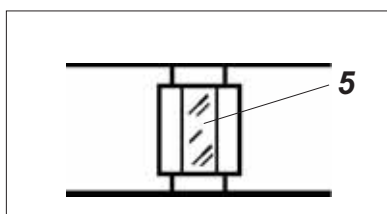
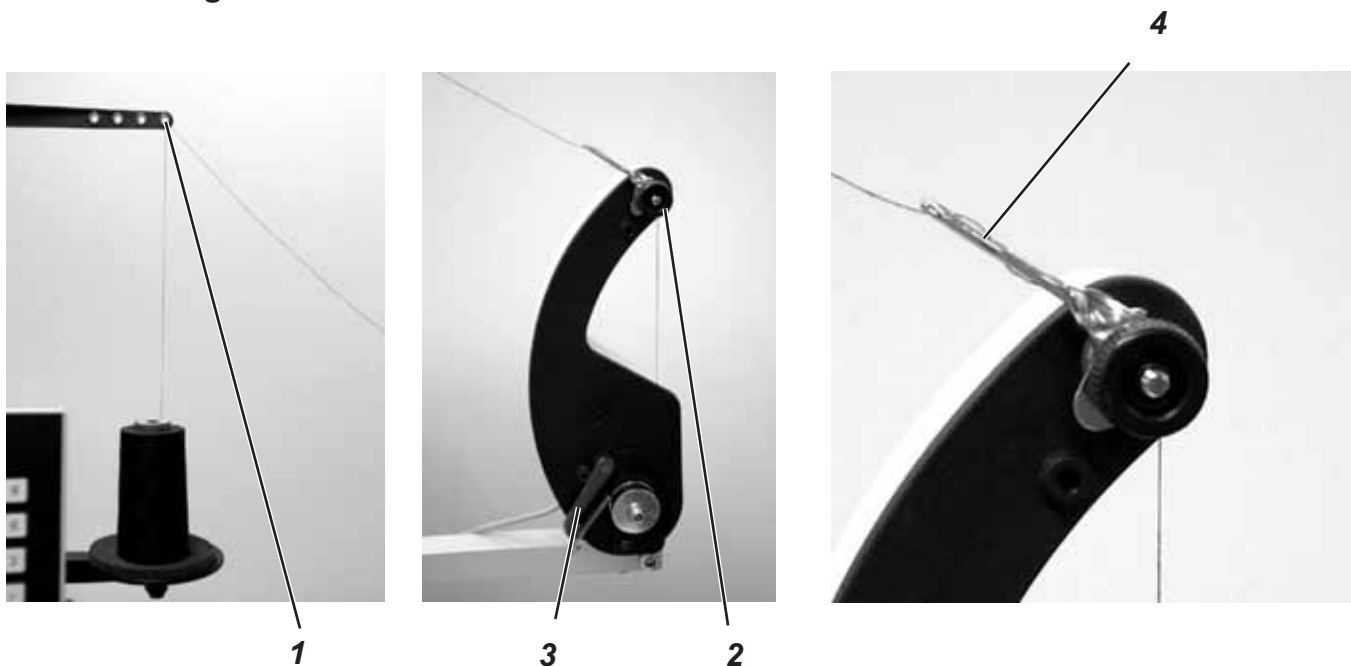
Left needle

- Put the thread reel on the thread reel holder.
- Thread the thread from the thread reel through the drill-hole 1 of the thread reel holder.
- Guide the thread through guide 2.
- Guide the thread through the drill-hole in the support plate 3.
- Guide the thread through guide 5.
- Guide the thread through the tension discs of the needle thread tension 6.
- Guide the thread through the thread controller spring 8.
- Guide the thread through the upper drill-hole in the support plate 10.
- Thread the thread through the upper drill-hole in the thread lever 17.
- Guide the thread downward through the thread puller 16.
- Thread the thread through guide 15 and the needle thread monitor 14.
- Thread the thread through guide 12, through the drill-hole in the needle holder and through the eye of the needle.

Right needle

- Put the thread reel on the thread reel holder.
- Thread the thread from the thread reel through the drill-hole 1 of the thread reel holder.
- Guide the thread through guide 2.
- Guide the thread through the drill-hole in the support plate 3.
- Guide the thread through the tension disc of the needle thread tension 4.
- Guide the thread through the guides 5 and 7.
- Guide the thread through the thread controller spring 9.
- Guide the thread through the lower drill-hole in the support plate 10.
- Thread the thread through the lower drill-hole in the thread lever 17.
- Thread the thread downward through the thread puller 16, through guide 15 and through the needle thread monitor 11.
- Thread the thread through guide 12, through the drill-hole in the needle holder and through the eye of the needle.
- Clamp the thread in the needle thread catcher and cut it off

2.6 Winding the hook thread



The external winder makes it possible to wind the hook threads independent of the sewing operation.

- Remove remaining thread from the bobbin hubs before winding.
- Put the thread reel on the thread reel holder.
- Thread the thread through the drill-hole 1 of the unwinding arm (see picture on the left).
- Guide the thread through guide 4.
- Guide the thread through the bobbin thread tension 2.
- Prewind the thread to the right in the front and back reserve grooves of the bobbin hub.

The full reserve grooves guarantee a secure winding, even with monofilament threads.

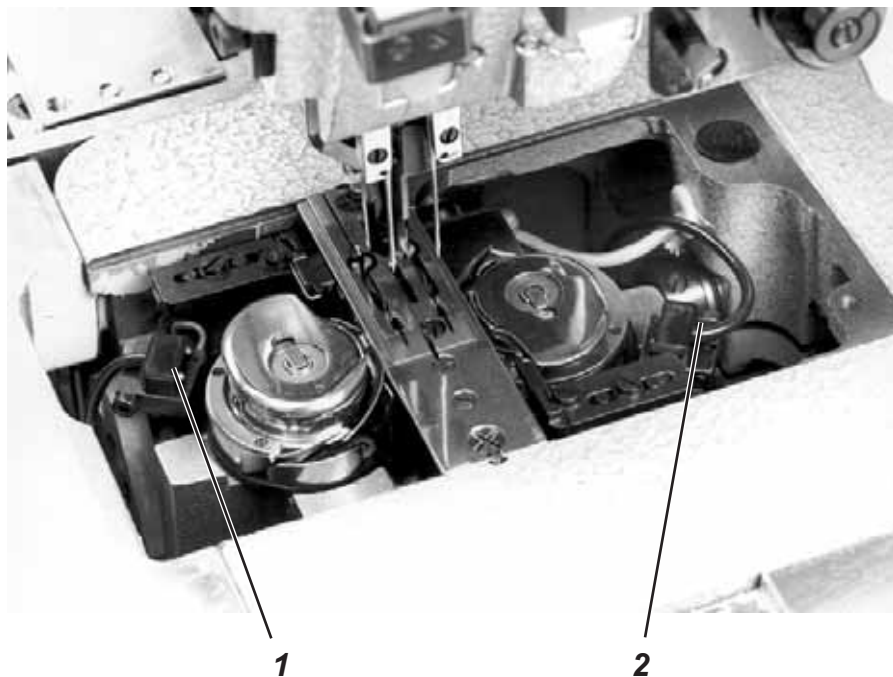
With the thread reserves in the reserve grooves the pocket opening can safely be finished after the remaining thread monitor has indicated that the bobbin is empty.

The reflecting surface 5 of the bobbin hub is to be kept clean.

- Press the bobbin retainer 3 against the bobbin hub.
The winder starts.
After reaching the set bobbin filling level the winder shuts off automatically.
See Service Instructions for setting the bobbin filling level.

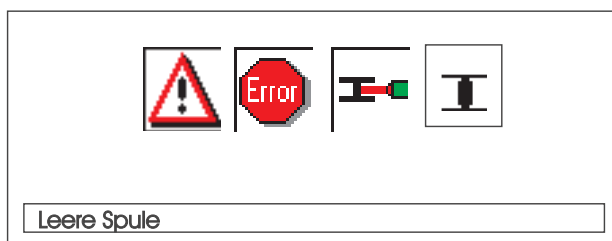
2.7 Remaining thread monitor

The remaining thread monitor monitors the left and right hook thread bobbin with the infrared reflected light barriers 1 and 2.



1

- When the bobbin is empty, the light beam transmitted by the light barrier 1 or 2 is reflected by the exposed reflecting surface 3 of the bobbin hub.
- The display of the control box shows the message "Empty bobbin".



- The pocket opening is safely finished with the thread in the reserve groove of the bobbin hub. The transport carriage stops in its rear end position.

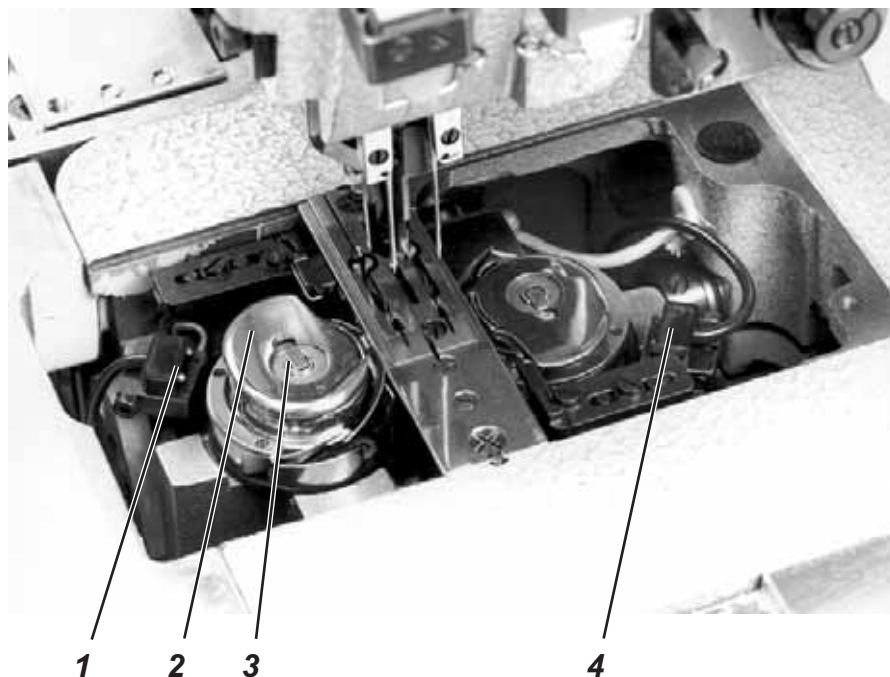


Caution: Danger of injury!

Switch the main switch off.
Clean the lenses of the light barriers only with the sewing unit switched off.

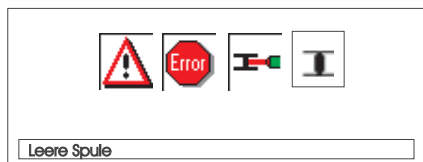
- Switch the main switch off.
- Clean the lenses of the light barrier with a **soft** cloth after every bobbin change.
- Switch the main switch on.
- Start a new sewing cycle.

2.8 Changing the bobbins



ATTENTION!

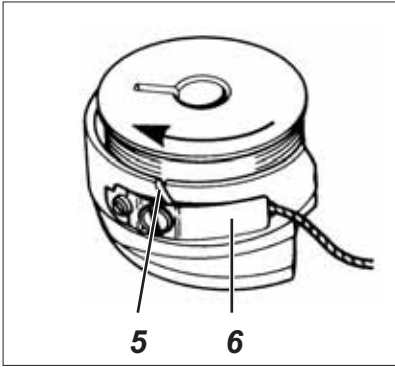
Switch the main switch off before changing the bobbin.



- After a certain number of seams the hook thread quantity on the bobbin is used up.
- With the remaining thread monitor switched on the message “Empty bobbin” appears in the display.
- The pocket opening in progress is finished with the help of the thread reserve in the reserve grooves of the bobbin hub.
- After corner incision the workpiece is moved out or stacked.
- The transport carriages runs to its rear end position. It can be restarted after the bobbin change only.

Removing the empty bobbin

- Switch the main switch off.
- Swing the folding station aside.
- Lift the fabric sliding sheet and swing it away to the left and to the right (see chapter 2.2).
- Lift the upper part of the bobbin case in the area 2. Thereby the bobbin case retainer 3 is lifted, too.
- Remove the upper part of the bobbin case together with the empty bobbin.
- Remove the empty bobbin from the upper part of the bobbin case.



Inserting a full bobbin

- Insert a full bobbin in the upper part of the bobbin case 2.
- Pull the thread through the slit 5 under the tension spring 6.
- Pull the thread out of the upper part of the bobbin case for a length of approx. 4 cm.
When the thread is being pulled off, the bobbin must turn in the direction of the arrow (counter to the hook rotation).
- Insert the upper part of the bobbin case 2 with the full bobbin in the lower part of the bobbin case.
- Close the bobbin case retainer 3.



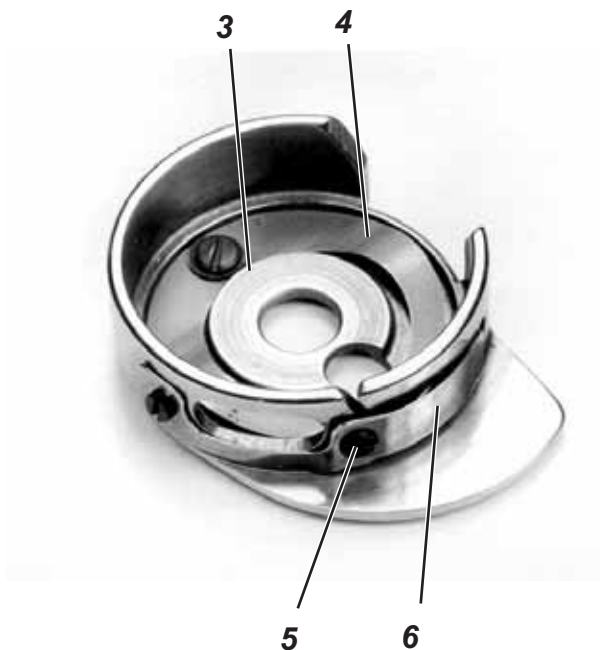
ATTENTION!

For a trouble-free function of the remaining thread monitor clean the lenses of the light barriers 1 and 4 with a **soft** cloth after every bobbin change.

- Put the fabric sliding sheets on again.
- Switch the main switch on.
- Start a new sewing cycle.

2.9 Thread tension

The interlacing of the threads must lie in the middle of the workpiece. Thick and hard material requires a tighter thread tension than thin and soft fabrics. Too high thread tensions can lead to undesired ruffling and thread breakage in case of thin material.



Setting the brake spring 4:

At a position stop of the machine head the brake spring 4 avoids an after-run of the hook thread bobbin.

- Set the brake spring 4 by alignment. The brake power is set correctly when the brake spring 4 projects beyond the surface 3 by approx. 1 mm.
- When setting the tension spring 6 the brake power is to be taken into account.

Setting the tension spring 6:

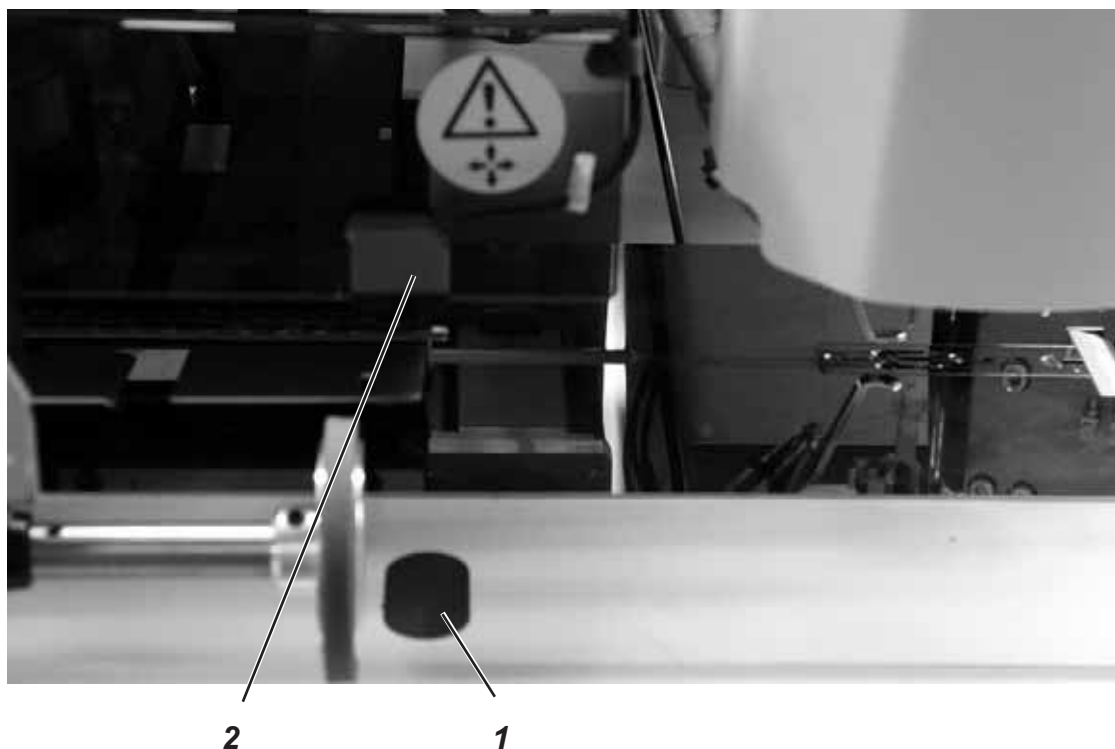
- First set only a minimum tension of leaf spring 6 at the adjusting screw 5.
Increasing the hook thread tension: Turn to the right
Reducing the hook thread tension: Turn to the left
- With the bobbin inserted and the hook thread threaded through the throat plate a uniform and easy thread pulling must be guaranteed.

Setting the needle thread tension:

- Adjust the needle thread tension until a uniform stitch pattern is achieved.
- Set the tension of the needle threads at knurled nut 1 (right needle thread) and knurled nut 2 (left needle thread).
Increasing the needle thread tension: Turn to the right
Reducing the needle thread tension: Turn to the left

2.10 Stacking control

The reflected light barrier 1 monitors the stacking and blowing-out of the sewn workpiece.
The transport carriage does not return before the workpiece has been correctly moved out.



- If the workpiece is not moved out correctly, the light beam between the reflected light barrier 2 and the reflecting sheet 1 remains interrupted.
A renewed start is not possible.



Caution: Danger of injury!

Do not reach into the runway of the transport carriage when removing the workpiece.

In sewing programs with automatic carriage return the transport carriage moves to the front after the light beam has been released.

- Remove the workpiece out of the light beam area.
A new sewing cycle can be started.



ATTENTION!

For a trouble-free function of the stacking control clean the lens of the reflected light barrier once a day with a **soft** cloth.

2.11 Slanted pocket corners

Dependent on the working method the 745-34 is equipped with an automatic or manual corner knife station.

0745 337524

Manual corner knife station

The setting of the corner knives with regard to the pocket length is programmable and is effected via a step motor.

The slanted pocket corners result from the seam offset of the two seam rows programmable in steps of 1 mm.

The pocket corner incision can be manually adjusted by two knurled screws. For the seam beginning and seam end it amounts to a maximum of +/- 13 mm relative to the second seam.

The distance of the corner knives to the seam is manually adjustable.

The whole knife block can be tilted out to make setting and service work possible.

0745 337534

Automatic corner knife station

The setting of the corner knives with regard to the pocket length is programmable and is effected via a step motor.

The slanted pocket corners result from the seam offset of the two seam rows programmable in steps of 1 mm.

The programmable pocket corner incision - adjustable via two step motors - can be freely selected for the seam beginning and seam end and amounts to a maximum of +/- 13 mm relative to the second seam.

The distance of the corner knives to the seam is manually adjustable.

The whole knife block can be tilted out to make setting and service work possible.

2.11.1 Swinging the corner knife station out / in



1



1

The corner knife station 1 can be swung out completely.



Caution: Danger of injury!

Switch the main switch off.
Swing the corner knife station out only with the sewing unit switched off.

Swinging the corner knife station out

- Swing the corner knife station to the left.
The knives are accessible for setting and service work.

Swinging the corner knife station in

- Swing the corner knife station back under the sewing unit and let it catch.



ATTENTION!

The corner knife station must audibly lock when being pushed in.

Note:

If the corner knife station is swung out with the sewing unit switched on, the following message appears:



2.11.2 Setting the corner knives (Manual corner knife station)

With the 745-34 the slanted pockets result from the seam offset between the two seam rows programmed at the control panel.



Caution: Danger of injury!

Switch off the main switch.
Set the corner knives only with the sewing unit switched off.

- Swing the corner knife station out (see chapter 2.11.1)

Setting the angle of the corner knives

The angle of the corner knife is set by turning the knife blocks 2 and 4.

- Loosen the screws 1 and 3.
- Turn the knife blocks 2 and 4 equally.
- Tighten the screws 1 and 3.
- Set the angle at the rear knives correspondingly.

Height of the corner knives

The corner knives are not height-adjustable.
The knives always cut completely through.

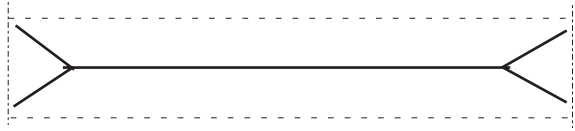
Corner knife incision (offset)

The slants of the pockets result from the offset of the left and right corner knife. The right corner knife is a stationary one, the left knife is set according to the required offset.

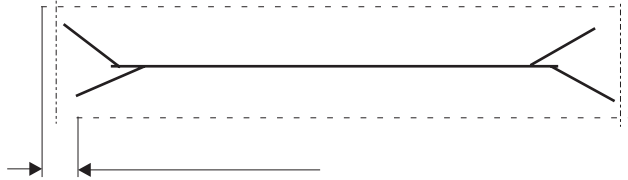
- Basic position (sewing of straight pocket corners):
The edges 1 and 2 are flush.
Adjustment by dial 5 or 6.
- Offset (sewing of slanted pocket corners)
The left corner knife is set to the front or to the back by the desired value by means of dial 5 (front knife) and dial 6 (rear knife).
- Swing the corner knife station in (see chapter 2.11.1).

Seam beginning

Seam end



Straight pocket corners
Right and left corner knife incisions lie parallel



Slanted pocket corners
Right and left corner knife incisions lie offset

Setting example:
Seam offset = 2 stitches

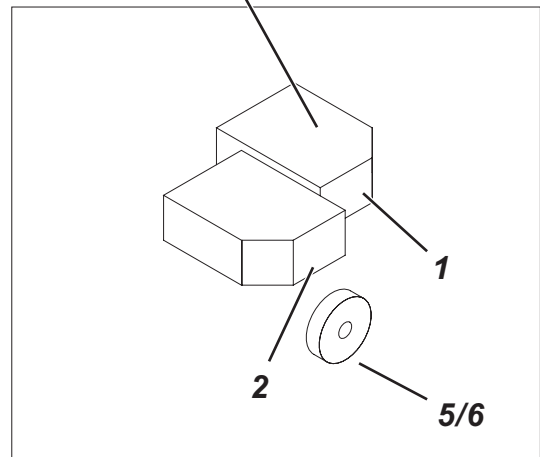
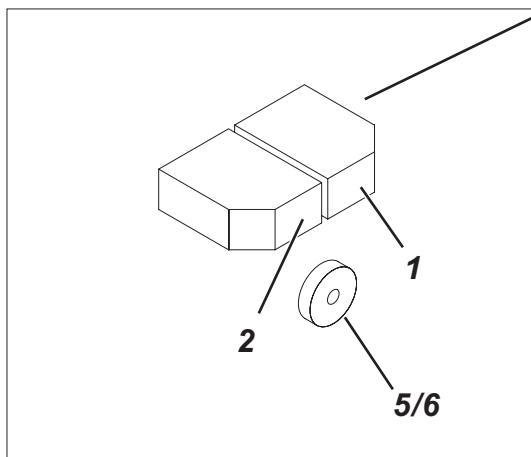


1

4 3 2 1

5 6

stationary knife

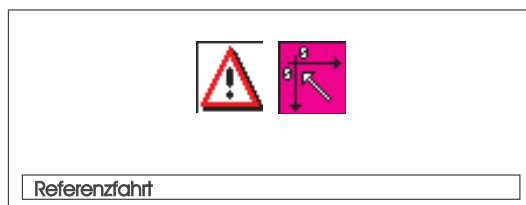


2.12 Reference position - Starting the sewing cycle - Quick stop

Reference position

The reference position is necessary in order to get a defined initial position.

- Switch the main switch on.
The control is initialized.
- The DÜRKOPP-ADLER logo briefly appears on the screen.
- The control checks whether the transport carriage is in its rear end position.
If this is not the case, the display shows the message “Referenz run”.



Caution: Danger of injury!

Danger of suffering bruising between folder and rest table.

- Step back on the left pedal.
The reference run starts.
The transport carriage runs in its rear end position.
- The display changes to the main screen of the sewing unit.

Starting the sewing cycle

- Step forward on the left pedal.
By repeated stepping on the left pedal the various steps of the positioning process are started sequentially.
The individual steps are dependent on the working method (A,D,B,F) and the equipment of the sewing unit (see chapter 2.15).
- For positioning corrections:
Step back on the left pedal.
The last step of the positioning process is undone.
A new positioning can be made.
- Step forward on the left pedal.
The sewing cycle is started.

Quick stop

The safety system of the 745-34-2 offers two possibilities for the immediate shut-down of the sewing unit in case of faulty operation, needle breakage, thread breakage etc.:

- Step back on the left pedal.
The current step of the positioning process or the sewing cycle is aborted immediately.
The following message appears:

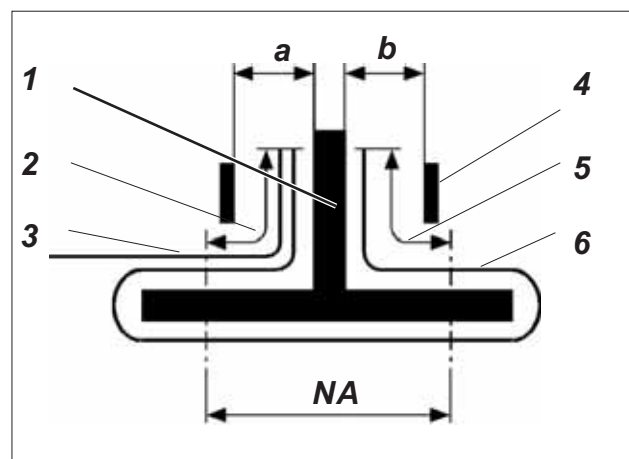


- Step back on the left pedal.
The carriage runs out of the feeding area.
- Press the key "RST" on the control panel.
The current sewing cycle is aborted.

2.13 Flap and piping projection

For the unhindered passage of the workpieces at the folder or pick-up folder the maximum projections of piping, flap and material thickness (see sketch) must not be exceeded.

The maximum piping strip widths allowed for the individual sewing equipment (E-No.) can be taken from the Equipment Sheets of the 745-34-2.



- 1: Folder
- 2: Flap projection, max. 20 mm
- 3: Flap
- 4: Guide plate at the folder
- 5: Piping projection, max. 20 mm / 40 mm
- 6: Piping strip

NA: Seam distance

a, b: Material passage at the folder

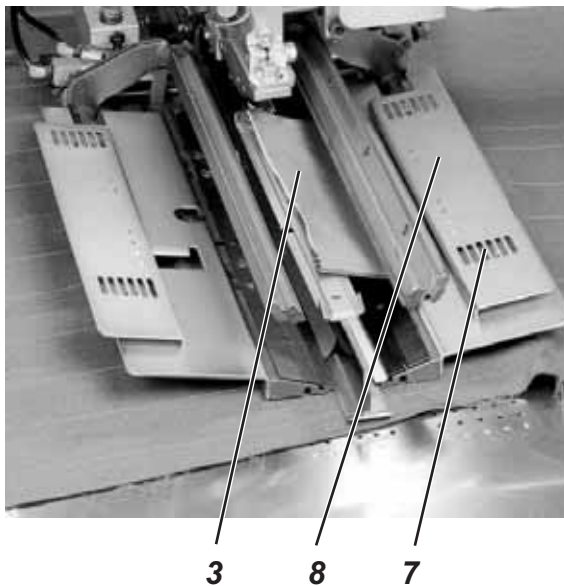


In case of equipment allowing a piping projection of 40 mm and equipped with blowing tubes at the feeding clamps, the parameter "Blowing of pocket bag/piping" can be selected in order to guarantee a trouble-free inlet of piping and/or flap (see Programming Instructions, chapter 6.4).

Setting the sew-in depth of the flap

The stop 8 determines the sew-in depth and thus the flap projection.

- Pull the stop 8 to the front (towards the operator) and lift it. Place stop 8 in another pair of slotted holes.
- For fine adjustment adjust the hexagonal bolts 7 underneath the stop 8.



2.14 Piping strip length

The piping strip length must be dimensioned in such a way that it projects approx. 20 mm beyond the seam beginning and seam end. This results in the following piping strip length:

Piping strip length = sewing length + 2 x 20 mm

2.15 Working methods

Working method	Remarks
A	Piped pockets, manual positioning of piping strip, flaps and other additional parts
B	Piped pockets, automatic feed of the piping strip, with/without incision of the piping ends optional automatic feed of flap and additional parts from the right or from the left or both sides
D	Breast welt pockets, automatic feed and matching of the breast welt, automatic feed of the pocket bag
F	Piped pockets, automatic feed of piping strip and additional parts, automatic matching and feed of the flap, with/without incision of the piping end

1

The individual working methods are described on the following pages.
The description is divided into the following items:

Loading positions

This item indicates which loading positions are used for the various workpieces (e.g. left and right pieces).

Aligning the positioning aids

This section describes the setting and alignment of the positioning aids (e.g. positioning marks, marking lamps, stops etc.).

Positioning and starting the sewing cycle

Under this item the individual positioning steps are listed with common positioning examples.



ATTENTION!

The steps of the positioning process are dependent on the equipment of the respective sewing unit.
Thus, the positioning steps described in the examples only apply for sewing units with equal equipment.



Caution: Danger of injury!

Do not reach under the downholder, the feeding clamp and the folder during the positioning process.

2.15.1 Working method A (Production of trousers)

Possible processing variants

- Front trousers pockets with underlaid pocket bag.
- Hind trousers pockets with or without flap, with underlaid pocket bag.
- Hind trousers pockets with or without flap, with automatically fed reinforcement strip.

Positioning method

Example: Hind trousers without flap, with underlaid pocket bag

1st step:

- Select the pocket program at the control panel.
- Push the pocket bag under pocket bag clamp 1 and position at the markings 2.
As markings you can use e.g. adhesive tape attached to the fabric sliding plate.

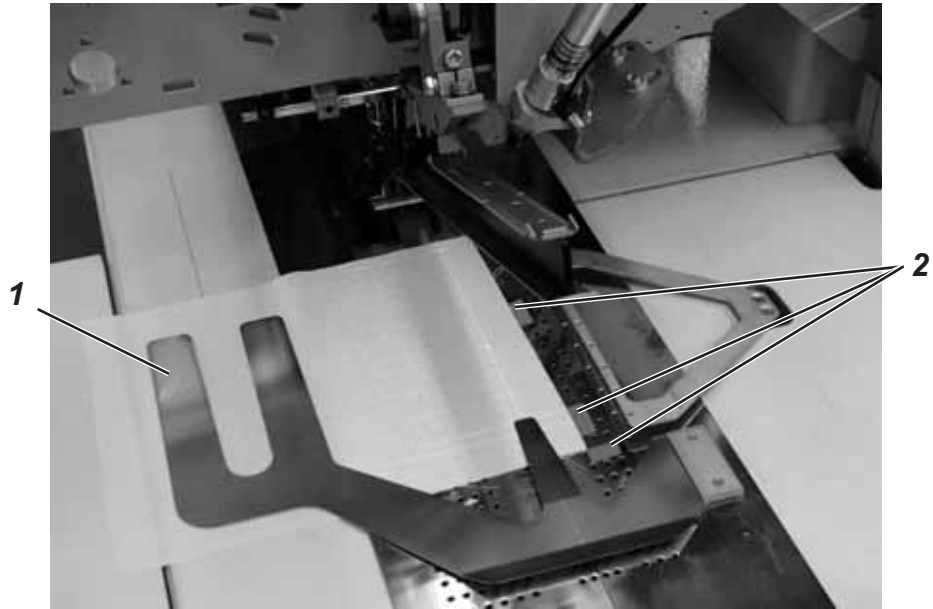
2nd step:

- Position the hind trousers at the “Rear positioning point” 5 and the marking 6.
- Touch the left pedal.
The hind trousers is clamped in its position by the fabric downholder 3 and the waistband clamp 4.
- Smooth out the clamped hind trousers in the dart area.
- If additionally equipped with vacuum:
Step the left pedal down as far as it will go and hold it stepped.
The vacuum is switched on.

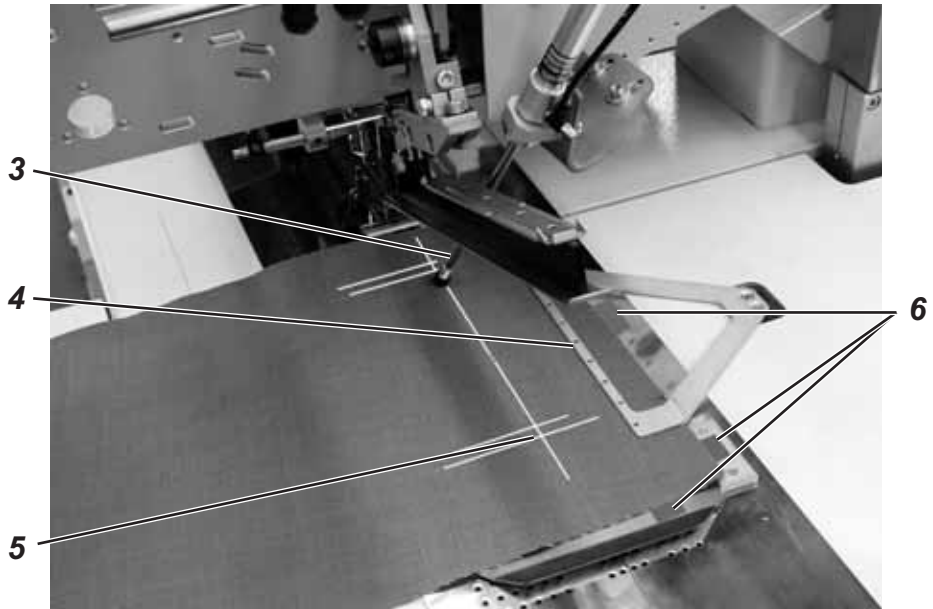
3rd step:

- Touch the left pedal.
The feeding clamps run to the front and lower onto the workpiece.
- Position the piping strip 8 on the feeding clamps flush with the front edges 9.
The alignment of the different types of piping on the feeding clamps is described more precisely in the following.
See “Positioning the piping strip”.
- Touch the left pedal.
The folder 7 lowers.
- Touch the left pedal once again.
The sewing cycle starts.

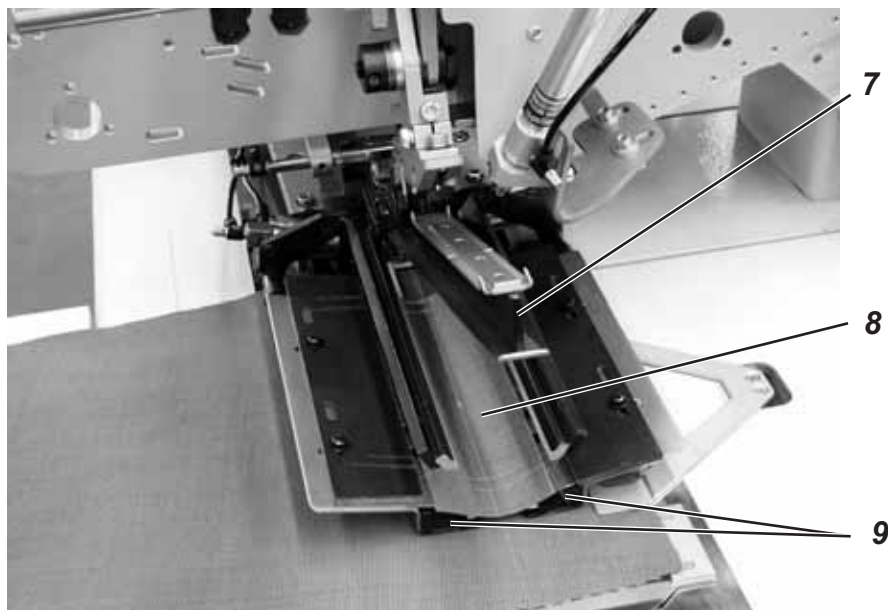
1st step:



2nd step:

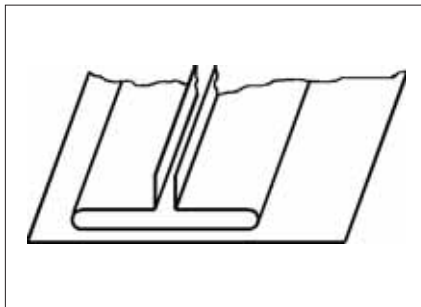


3rd step:



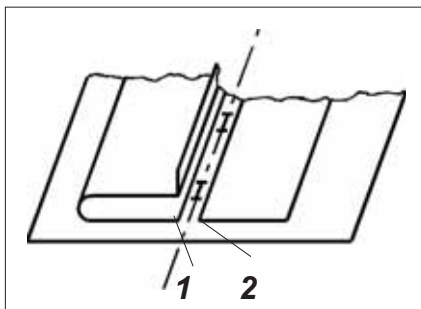
1

Positioning the piping strip



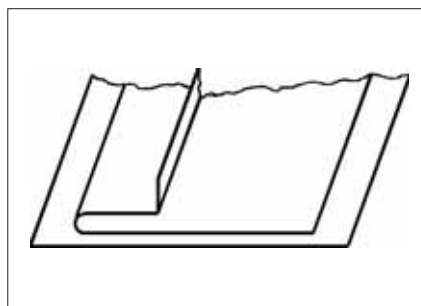
Double piping:

- Position the piping strip centered on the feeding clamps and flush with the front edges.



Single piping (left) with separately positioned facing (right):

- Position the piping strip on the left feeding clamp flush with the cutting line.
- Position the facing on the right feeding clamp. This positioning method requires the flap clamp “right” (Order No.0792 011162) available as optional equipment.
- The edges 1 and 2 must be sufficiently seized by the needle, but must not be cut by the center knife.



Single piping left with grown-on facing

- Position the piping strip at stop 3 on the left folding plate.



ATTENTION!

With grown-on facing the right folding plate must not close. Pull off the hose coupling at the right feeding clamp.



2.15.2 Sewing with flap


For the simultaneous sewing-in of flaps or other additional parts the following optional equipment is required according to the field of application:

Production of trousers: Flap clamp, right (Order No. 0792 011162)

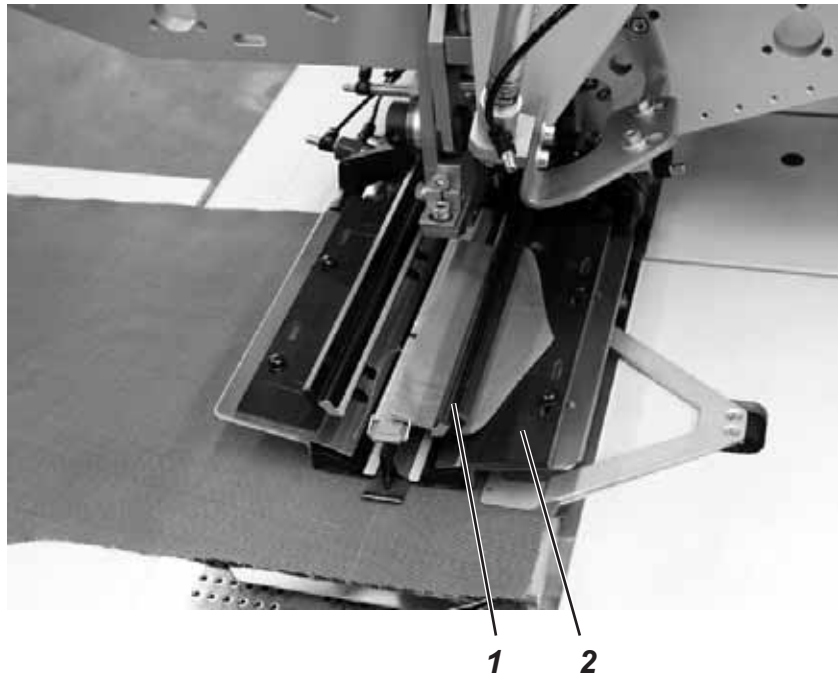
Production of jackets: Flap clamp, left (Order No. 0792 011161)

Selecting the closing order of the flap clamps

Field of application	Position	Closing order of the flap clamps
Production of trousers	right	Right flap clamp closes first
Production of jackets	left	Left flap clamp closes first

- Set the closing order of the flap clamps 4 at the control panel under the menu item “Program Parameters” (Symbol ).

2.15.2.1 Sewing without light barrier



Shaped guide for flap

The unmachined part 2 is delivered with the flap clamp 1. It has to be machined as a shaped guide corresponding to the flap used.

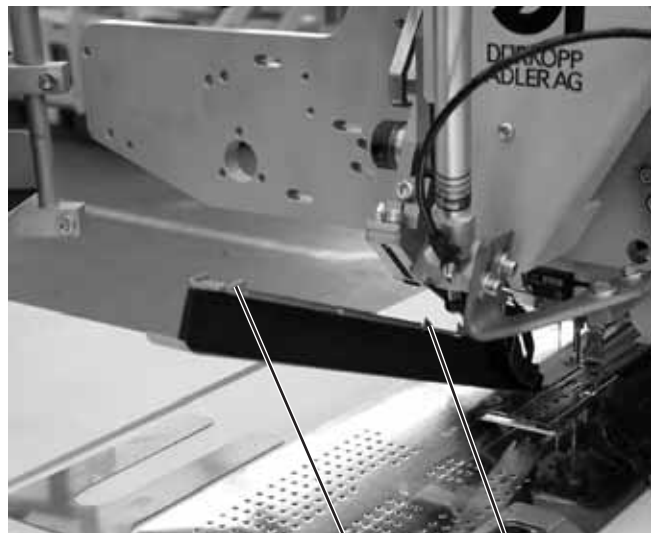
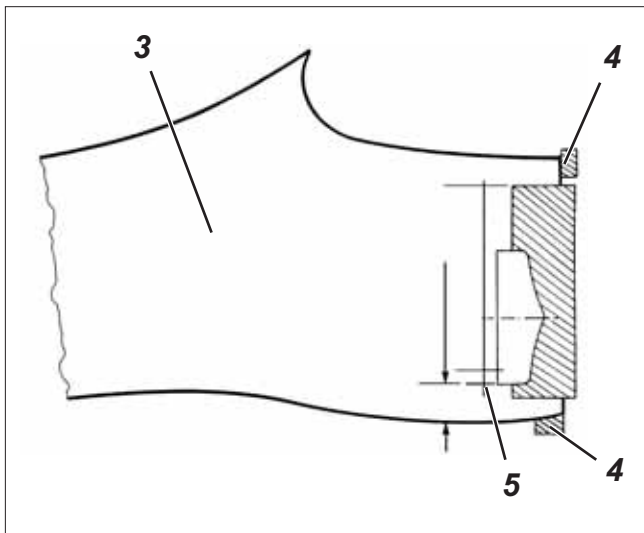


ATTENTION!

The flap length must correspond to the desired length of the pocket opening.

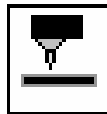
Sewing with the flap on the right (Production of trousers)

- When manufacturing trousers always position the flap at the "Rear positioning point" (light spot 5). The "Rear positioning point" is a fixed point also for other sewing units (further flap lengths).
- Attach the positioning mark 4 for the hind trousers on the fabric sliding sheet correspondingly.
- The sketch shows the positioning of a right hind trousers part 3 with flap.
- Position the left hind trousers parts in reflected image. The position of the flap remains the same.





Fehler bei Lichtschranke für Pfatten



2.15.3 Working method A (Production of jackets)

Piped pockets, manual positioning of piping strip, flaps and other additional parts

Loading positions for left or right jacket front parts

- Position the left jacket front parts at the rear positioning point (light spot 3).
Position the right jacket front parts at the front positioning point (light spot 7).

It is useful to generate a pocket program for left jacket front parts (rear positioning point selected) and a pocket program for right jacket front parts (front positioning point selected). Thus, you only have to alter the pocket program in the main screen when changing between left and right jacket front parts.

Aligning the positioning aids

Laser markings:

- When positioning at light spot 9 the distance between breast dart 10 and flap edge 11 will always be the same.

Stops for the manual flap feed:

- Adjust the stops 8 and 13 on the folder as to the light spots 7 and 12.



ATTENTION!

If the flap 5 is positioned outside the dotted lines of the sewing area, the function sequence will be interrupted. The display shows the following message.

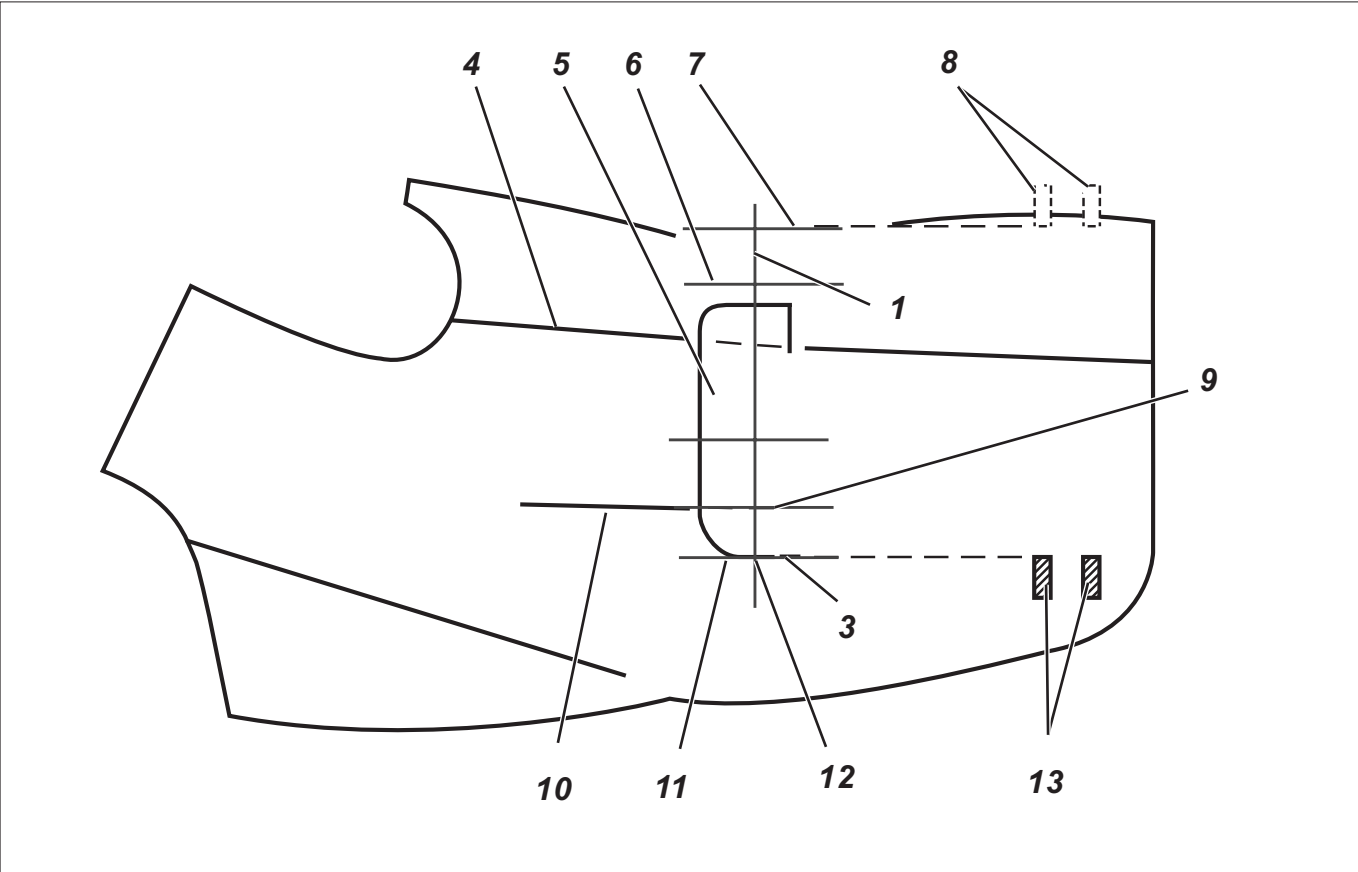


Info line

Error of light barrier for flaps

Stop 14 (sew-in depth of the flap):

- Set the sew-in depth of flap 5 by inserting the stop 14 in the corresponding pair of slotted holes.





Caution: Danger of injury!

Do not reach into the working area of the positioning device when triggering the individual steps of the positioning process.

Positioning and starting the sewing cycle

1. Position the jacket front part on the fabric sliding sheet.

a) Plain goods:

Left jacket front parts:

Position the jacket front part with breast dart 10 at the light spot 9.

Right jacket front parts:

Position the jacket front part with breast dart 10 at the light spot 6.

b) Patterned goods:

Mark the flap edge 11 on the jacket according to the pattern.

Left jacket front parts:

Position the jacket front part with the marking on light spot 12.

Right jacket front parts:

Position the jacket front part with the marking on light spot 7.

2. Align the pocket incision 15 at the lengthwise lines of the light spots (center knife incision).
The pocket incision 15 is between breast dart 10 and side seam 4.
3. If additionally equipped with vacuum:
Step forward on the pedal and release.
The vacuum is switched on.
4. Step forward on the pedal.
The transport carriage moves to the loading position.
The feeding clamps lower onto the jacket front part.

For positioning corrections:

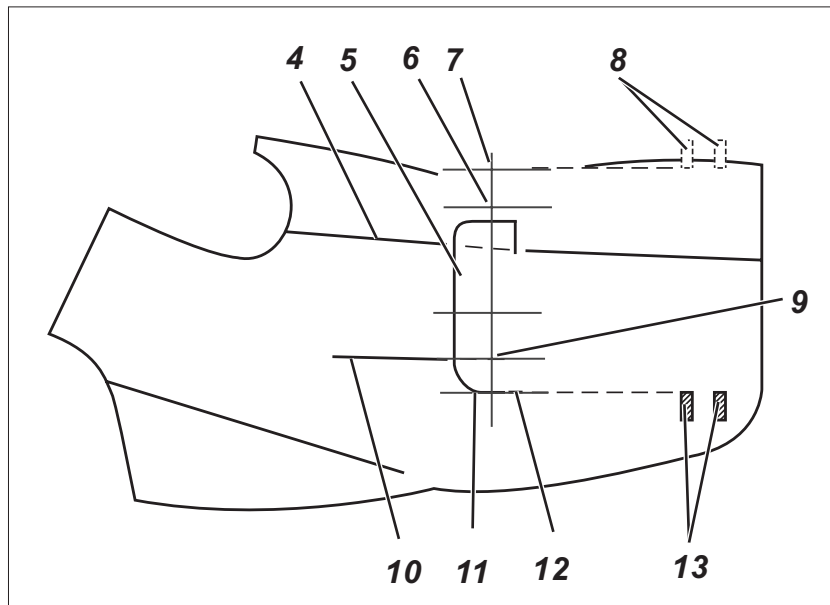
Step back on the pedal.

The feeding clamps lift.

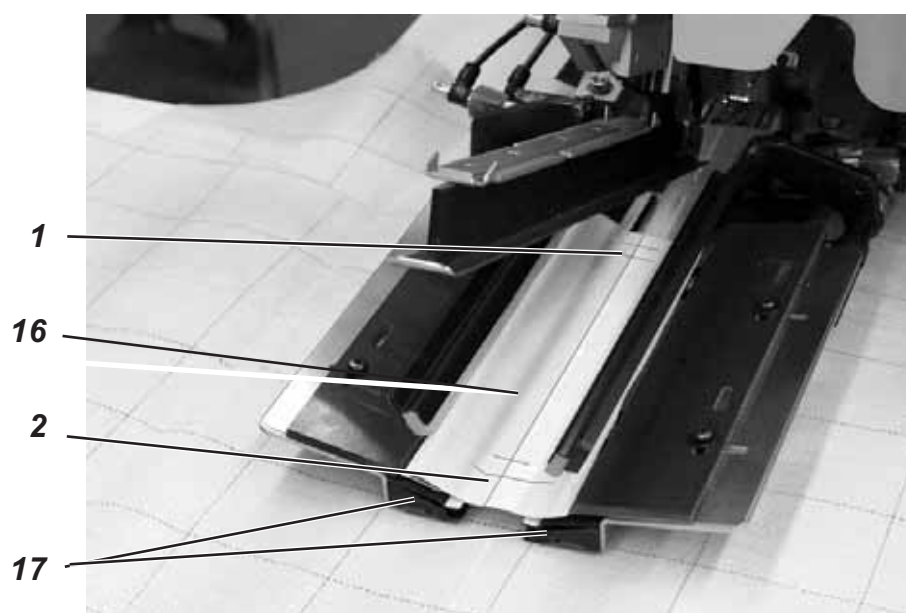
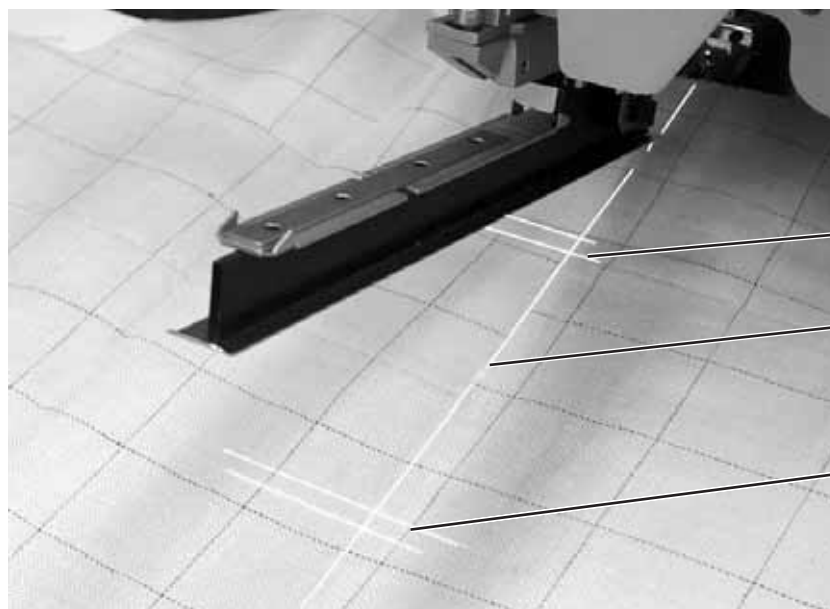
Step back on the pedal again.

The transport carriage runs back to the waiting position.

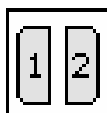
5. Position the piping strip 16 on the feeding clamps.
Left jacket front parts:
Position the piping strip 16 flush at the front edges 17.
Right jacket front parts:
Position the piping strip approx. 20 mm behind the light spot 7.



1

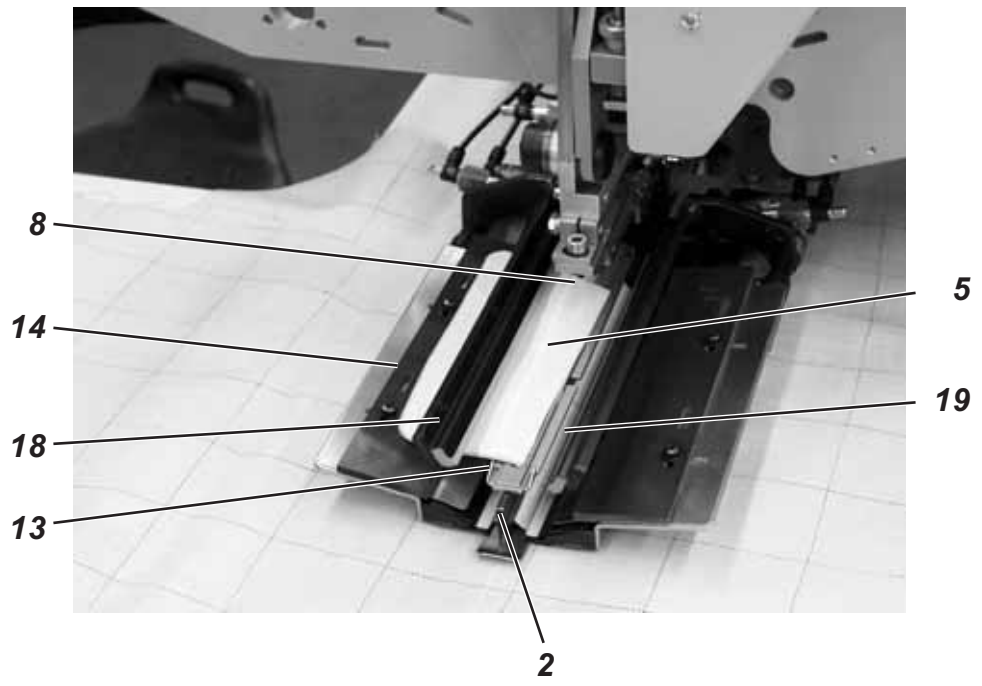


6. Step forward on the pedal.
The folder 20 lowers.
7. Position the flaps on the left feeding clamp at the stop 14 and align in sewing direction.
Left jacket front parts:
Position flap 5 at the rear stop 13 of the folder 20.
Right jacket front parts:
Position flap 5 at the front stop 8 of the folder 20.
8. Step forward on the pedal.
Flap clamp 18 closes.
9. Step forward on the pedal.
Flap clamp 19 closes.
The sewing cycle starts.



ATTENTION!

The steps 8 and 9 are dependent on the closing order of the flap clamps set in the pocket parameters.
See Programming Instructions, chapter 6.4.



2.15.4 Working method B

Piped pockets, automatic feed of the piping strip, without/with incision of the piping ends

Example:

Sewing pocket openings with or without flap in jacket front parts

Loading positions for left and right jacket front parts

- Position the left jacket front parts 7 at the rear light spot 6.
Position the right jacket front parts 1 at the front light spot 3.

It is useful to generate a pocket program for left front parts (rear light spot selected) and a pocket program for right front parts (front light spot selected).

Thus, you only have to alter the pocket program in the main screen when changing between left and right jacket front parts.



Caution: Danger of injury !

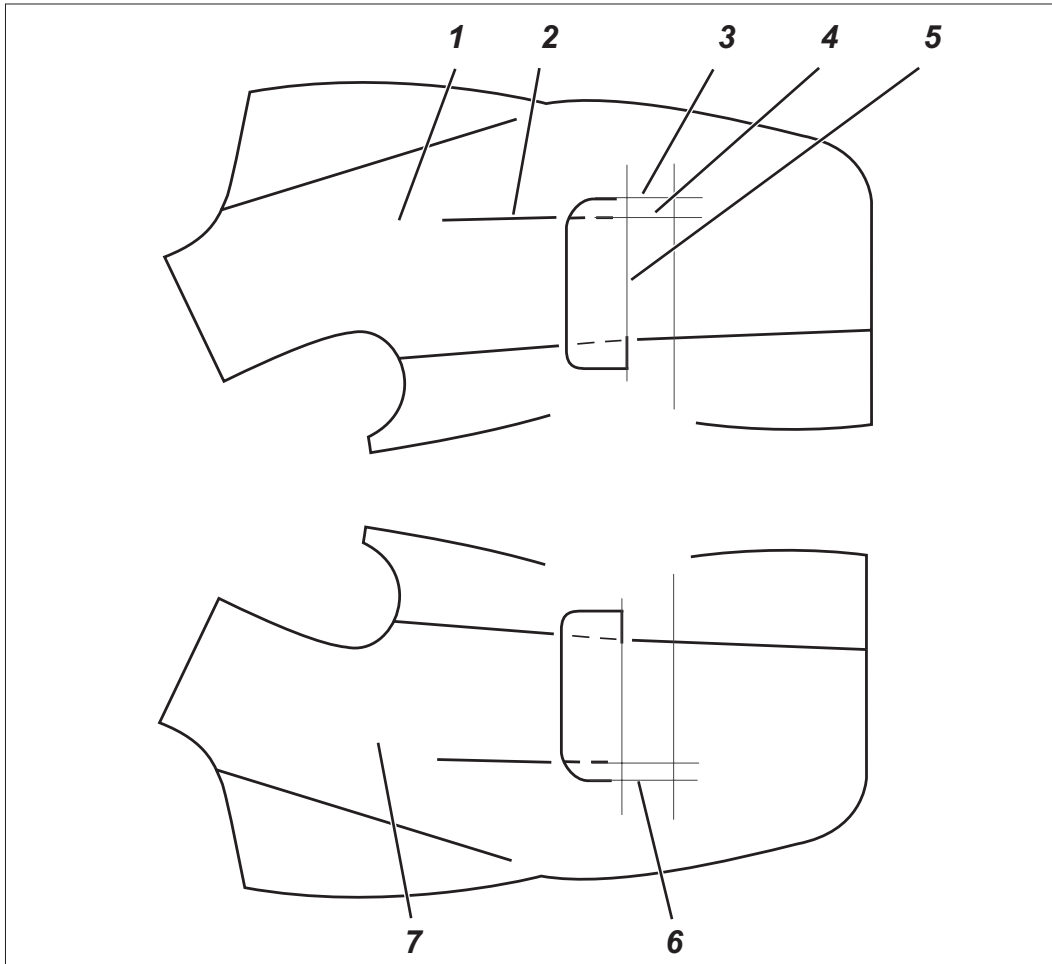
Do not reach into the working area of the positioning device when triggering the individual steps of the positioning process.

Positioning and starting the sewing cycle

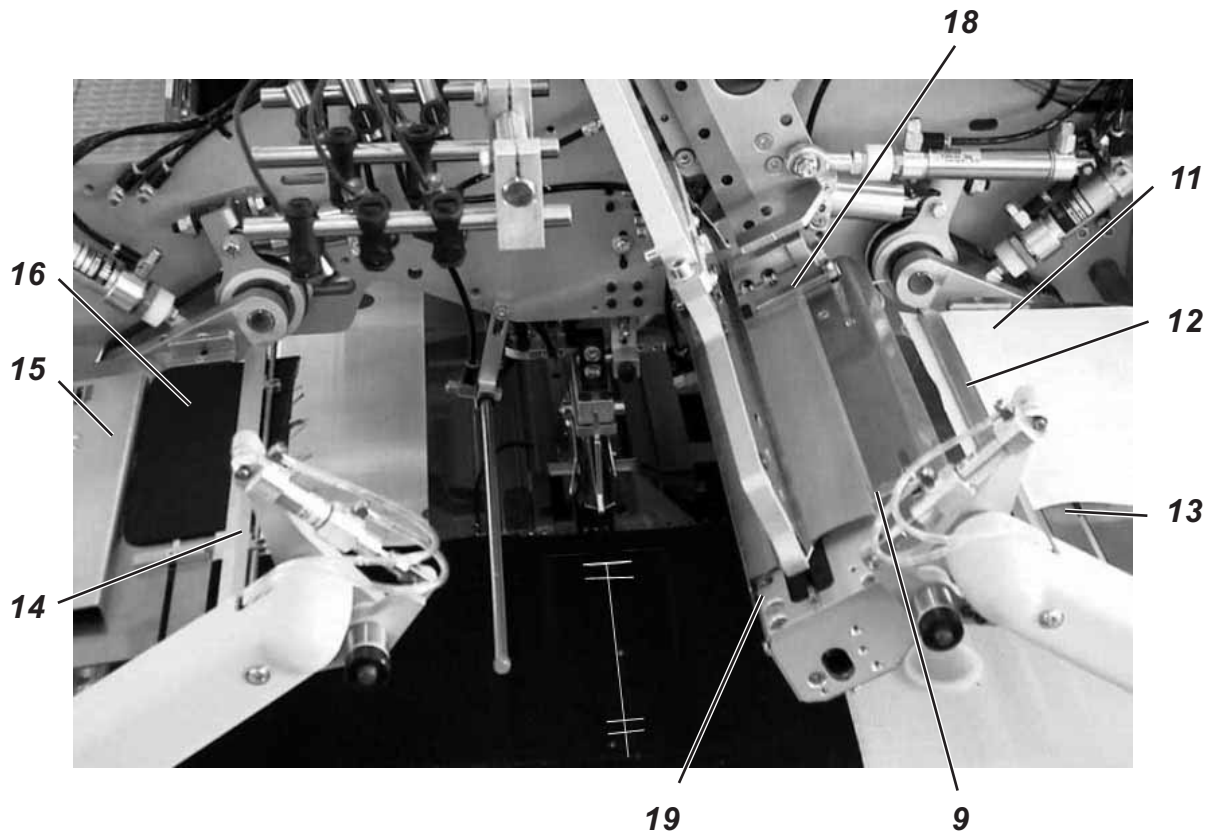
Example: Right jacket front part

With piping incision

1. Position the piping strip 8 at the front stop 18.
(For the left jacket front part position the piping strip at the rear stop 9). Position the piping strip also at the lateral stop 19.
2. Step forward on the right pedal and hold it stepped down.
The left flap clamp 14 opens.
3. Position flap 16 at stop 15.
4. Release the right pedal.
The flap clamp 14 closes.
5. Step the right pedal to the back and hold it stepped down.
The right flap clamp 12 opens.
6. Align pocket bag 11 on the rest table 13 at the positioning mark (e.g. thin adhesive tape).
7. Release the right pedal.
The flap clamp 12 closes.
8. Position the right jacket front part 1 with dart 2 at light spot 4.
9. Align the pocket opening at the lengthwise line of light spot 5 (center knife incision).



1



10. Step forward on the left pedal.
The piping strip is cut and taken up by the pick-up folder.
The transport carriage moves to the loading position.
The feeding clamps lower.



11. Step forward on the left pedal.
The pick-up folder 17 lowers with the piping strip. The folding sheets close. The piping strip is blown against the folder by air nozzles fitted in the feeding clamps.
For adjustment see Programming Instructions, chapter 6.4 Modes **“Blowing of pocket bag/flap”**.

For positioning corrections step the left pedal back:

1st touch of the pedal: The folding sheets open.

The pick-up folder 23 swivels back to the initial position.

2nd touch of the pedal: The feeding clamps lift.

3rd touch of the pedal: The transport carriage moves back to the waiting position.

12. Flap feeder 14 with the flap 16 and flap feeder 12 with the pocket bag 11 swivel in.

13. Step forward on the left pedal.
The flap clamps close.
The flap feeders open, lift and swivel out.

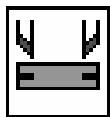
14. Step forward on the left pedal.
The sewing cycle starts.



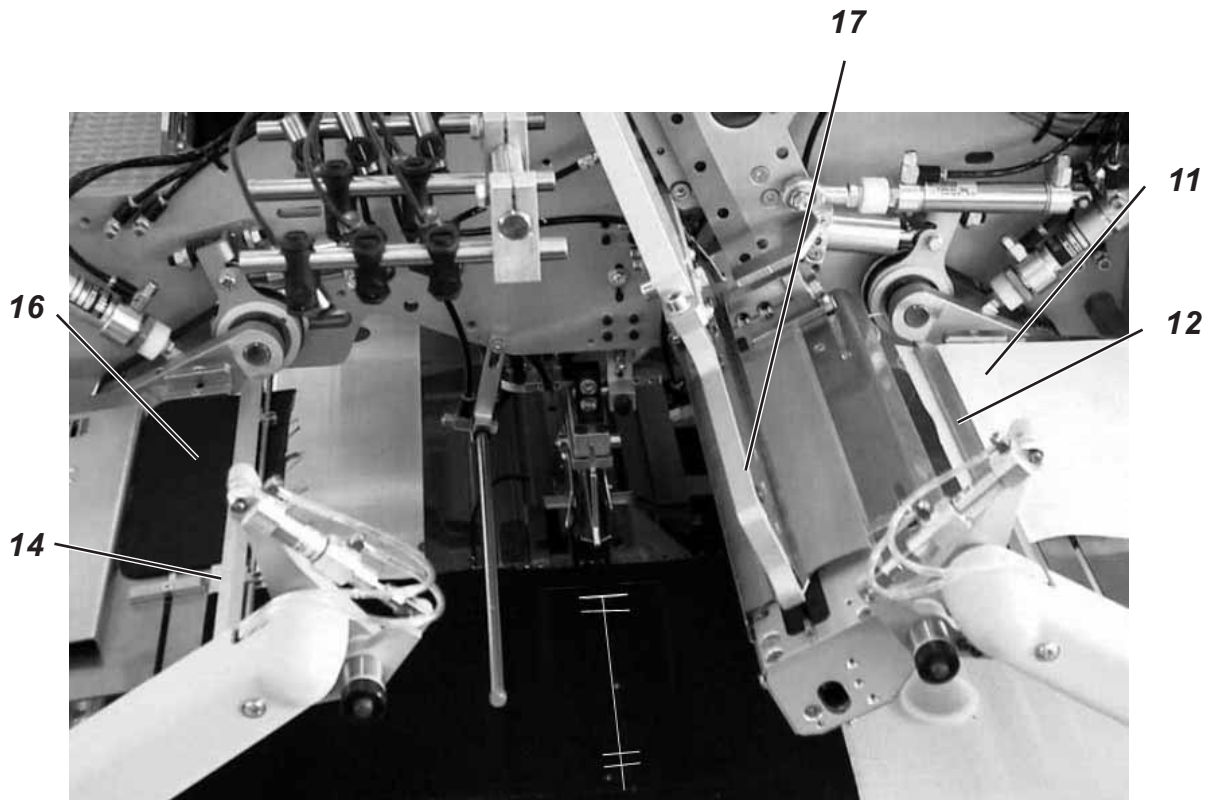
Note

According to the selected pedal mode the sequence of the positions 10 to 14 occurs in inching operation or automatically.

See Programming Instructions, chapter 6.4, for pedal mode selection.



By actuating the “F3” key the piping strip already picked up can be released again.



Example:

Sewing pocket openings with or without flap in hind trousers

Loading positions for hind trousers parts

- Hind trousers can be positioned according to two methods:
 - a) symmetrical at the central light spot 2 (according to the dart)
 - b) according to the positioning marks 4 or 8
- Align the end of pocket opening 7 preferably at the rear light spot 3.
The hind trousers parts should be positioned as close as possible to the operator. Thus, the hind trousers can - after positioning - be safely smoothed out when the feeding clamps move forward.

Aligning the positioning aids

Positioning aids 5 and 9:

- Align the end of the pocket opening at the light spots 1 and 3.
- Bring the middle of the pocket opening in line with light spot 11.
- Attach two positioning marks 5 and 9 (e.g. thin adhesive tape) to the waistband edge of the fabric sliding sheet.

Symmetrical alignment at the light spot 2 (positioning method a):

- Align the light spot 2 in such a way that it is exactly above the dart 6. The front light spot 1 can be shifted towards the operator.

Alignment according to positioning marks 4 and 8 (positioning method b):

- Position the right hind trousers.
Attach a positioning mark 8 (e.g. thin adhesive tape) to the hip bow of the right hind trousers.
The distance between hip bow and pocket opening end 7 must amount to approx. 30 mm.
- Position the left hind trousers.
Attach positioning mark 4.
Between the positioning mark 4 and the light spot 3 there must be a distance of 30 mm + pocket length.

Stop 10 for the automatic feed of flap 12:

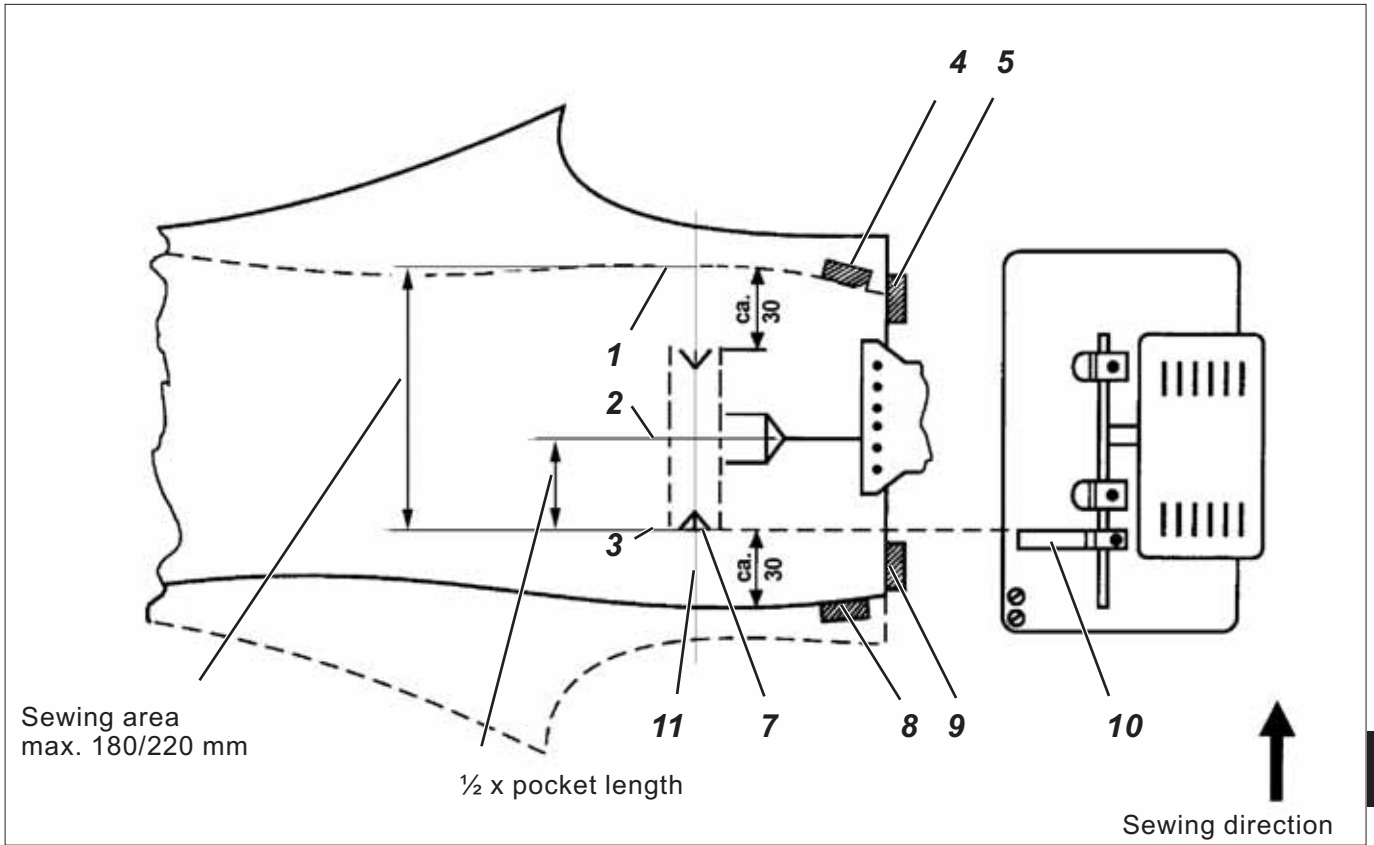
- Adjust the stop 10 of the feeding device as to the pocket opening end 7.



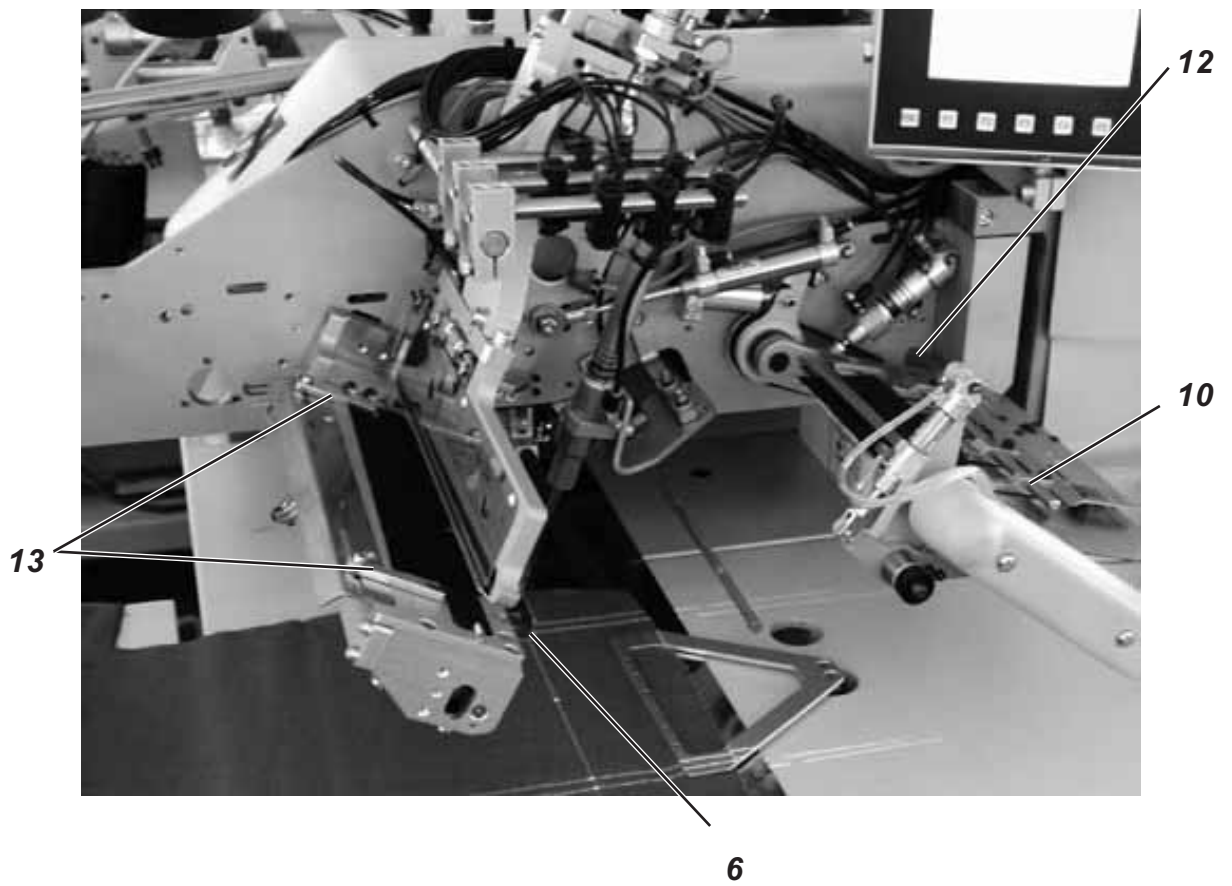
ATTENTION!

If the flap 12 is positioned outside the dotted line of the sewing area, the function sequence is interrupted.
The display shows the error number 9720 or 9722.

- When positioning symmetrically at light spot 2 set the stop 10 for flaps for shorter pocket lengths correspondingly lower within the sewing area.
- Adjust the stops for the positioning of piping 13 also in such a way that the piping is symmetrical to the light spot 2.



1





Caution: Danger of injury!

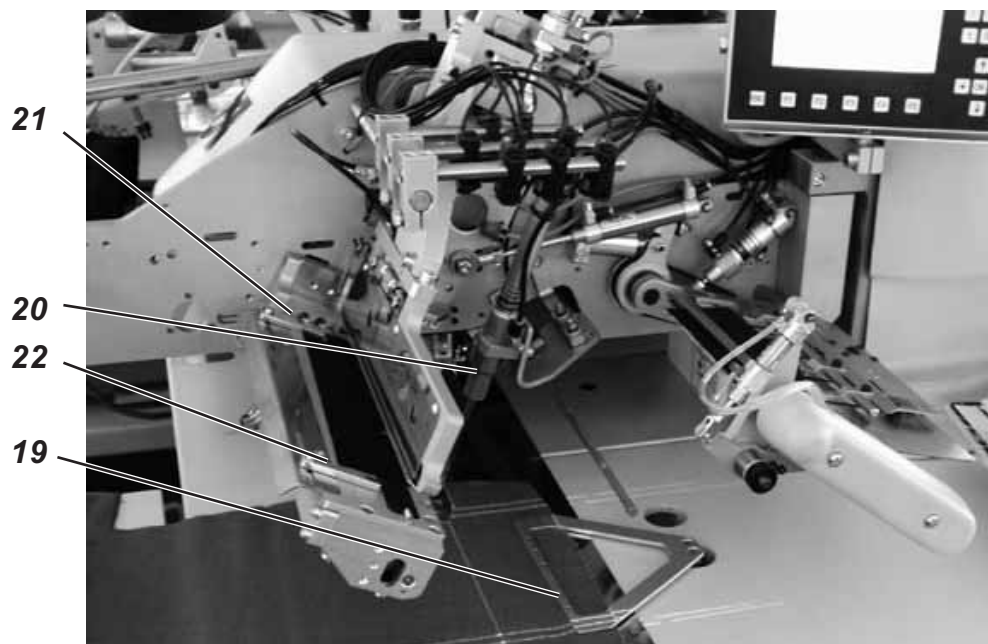
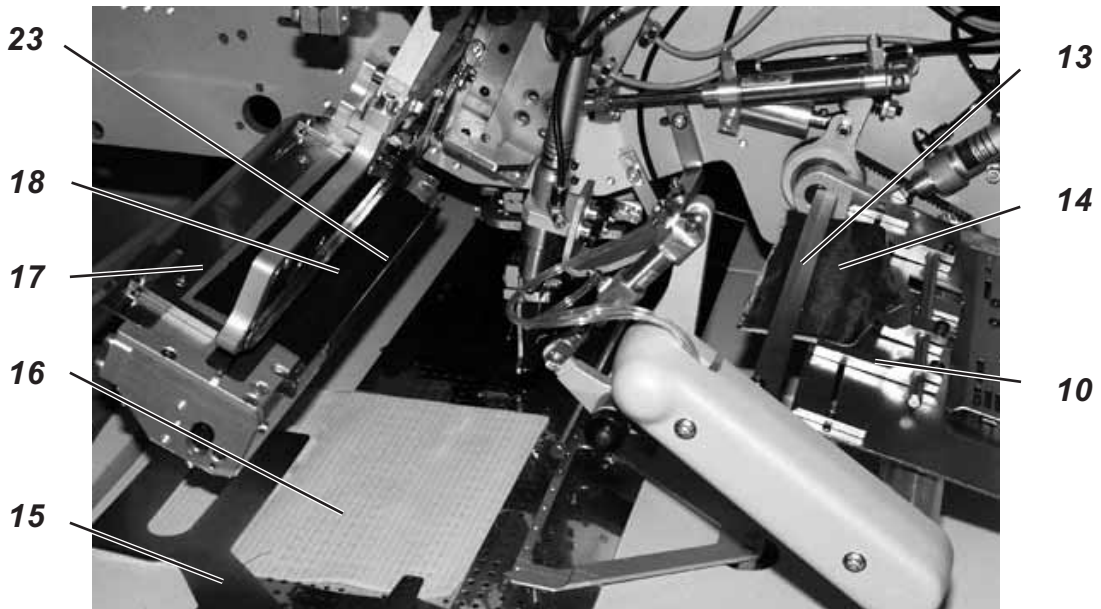
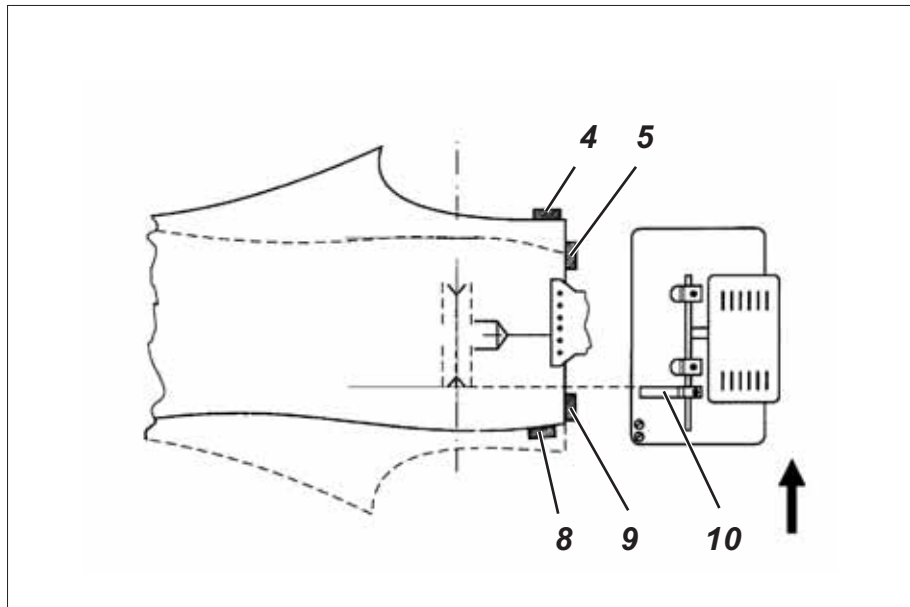
Do not reach into the working area of the positioning device when triggering the individual steps of the positioning process.

Positioning and starting the sewing cycle

With piping incision

1. Position the piping strip at the front stop 21 or at the rear stop 22.
Position the piping strip at the lateral stop 23.
2. Step the right pedal to the back and hold it stepped down.
The feeding device 13 opens.

Position flap 14 at stop 10 of the feeding device.
When sewing **pockets with pipings on both sides** position loop and facing on the feeding device, too.
3. Release the right pedal.
The feeding device 13 closes.
4. Push the pocket bag 16 under the pocket bag clamp 15 and align according to the positioning marks.
As positioning marks you can use e.g. adhesive tapes attached to the fabric sliding sheet.
5. Align the hind trousers according to positioning method a) or b) at the positioning marks 4 and 8 as well as 5 and 9.
6. Step forward on the left pedal.
Downholder 20 and waistband clamp 19 lower and clamp the hind trousers in its position.
Smooth the clamped hind trousers out to the side and to the front.
7. Step forward on the left pedal.
The vacuum is switched on.
8. Step forward on the left pedal.
The piping is cut and picked up.
The transport carriage moves to the loading position.
The feeding clamps lower.



9. Step forward on the left pedal.
The pick-up folder 23 lowers with the piping strip onto the hind trousers.
The folding sheets close.



The piping strip is blown against the folder by air nozzles fitted in the feeding clamps.

For adjustment see Programming Instructions, chapter 6.4 Modes “**Blowing of pocket bag/flap**”.

For positioning corrections step the left pedal back:

- | | |
|---------------------------------|---|
| 1 st touch of pedal: | The folding sheets open.
The pick-up folder 23 swivels back to the initial position. |
| 2 nd touch of pedal: | The feeding clamps lift. |
| 3 rd touch of pedal: | The transport carriage moves back to the waiting position. |

10. Step forward on the left pedal.
The feeding device 13 swivels in with flap 14.

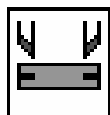
11. Step forward on the left pedal.
The flap clamp 24 closes.
The sewing cycle starts.



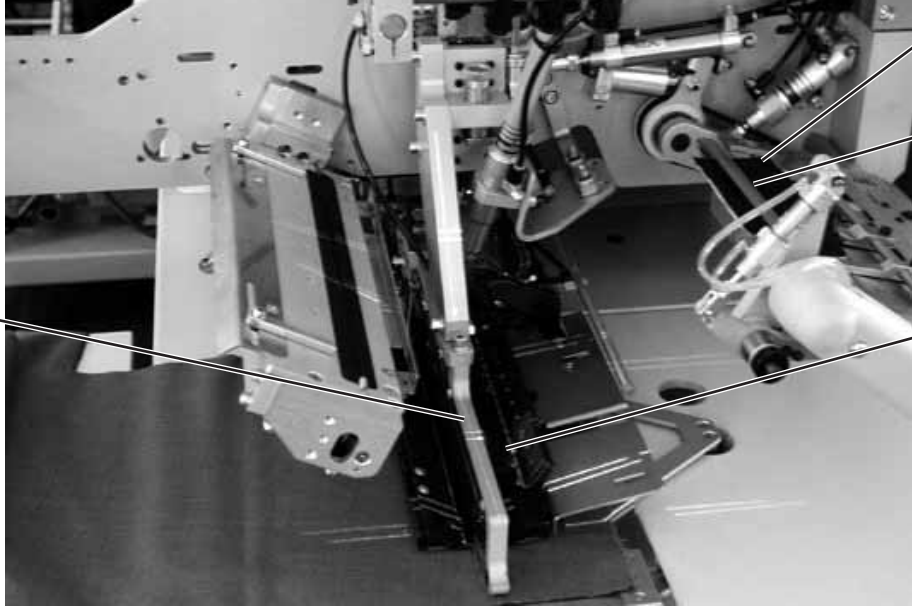
Note

According to the selected pedal mode the sequence of the positions 8 to 11 occurs in inching operation or automatically.

See Programming Instructions, chapter 6.4, for pedal mode selection.



By actuating the key “F3” the piping strip already picked up can be released again.



23

14

13

24

2.15.5 Working method D Breast welt pockets, automatic feeding and matching of the breast welt

The maximum sewing length for breast welt pockets is **125 mm**.
The positioning device allows an overlapped working method.

Sewing patterned or plain goods

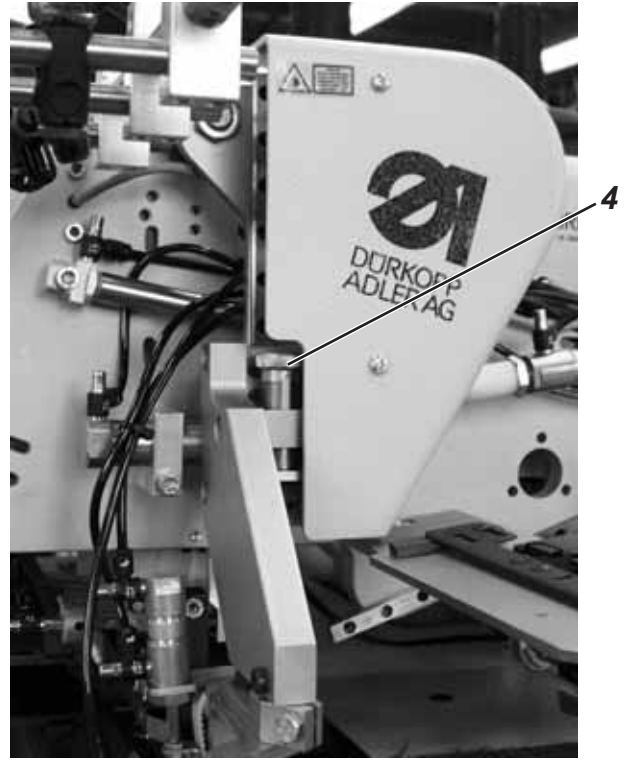
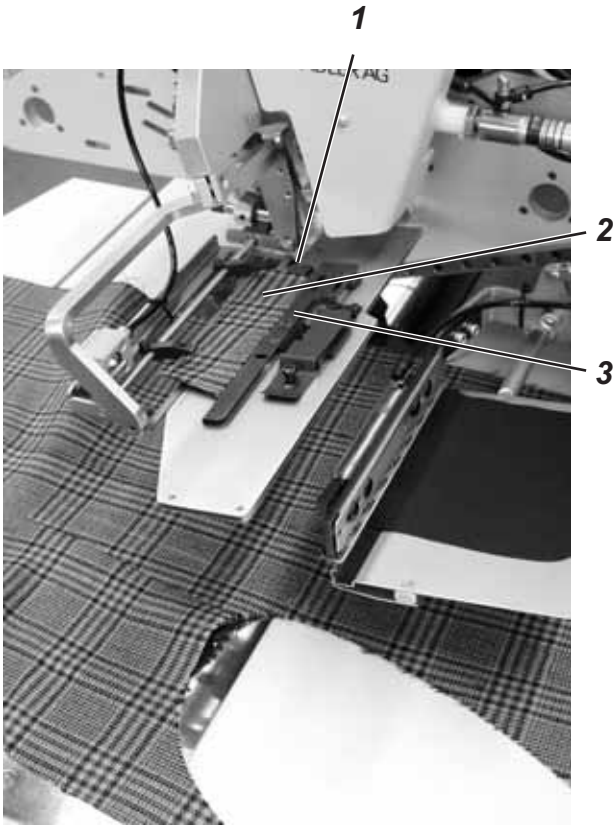
When processing plain goods it is not necessary to align
jacket front part and breast welt 2 as per pattern.

This results in a more rapid working method for plain goods (see page 58)

Aligning the positioning aids

Height of the positioning device:

- Set the height of the positioning device at the adjusting aid 4.
It must be possible to shift the jacket front part under the
positioning device unhindered.



1

**Caution: Danger of injury!**

Do not reach into the working area of the positioning device when triggering the individual steps of the positioning process.

Positioning and starting the sewing cycle

1. Align the jacket front part at the positioning marks 12 and 16.
The positioning marks (e.g. thin adhesive tape) serve for the rough positioning of the jacket front part.
Right pedal: Picking up the “pocket bag”.
2. Position the pocket bag 9 with facing 8 at the stop 13 of plate 15.
Align pocket bag 9 at positioning mark 14 (e.g. thin adhesive tape) in sewing direction.
3. Step forward on the right pedal.
The gripper 11 lowers onto plate 15.
The needles of the gripper 11 run out and seize the pocket bag 9.

Note

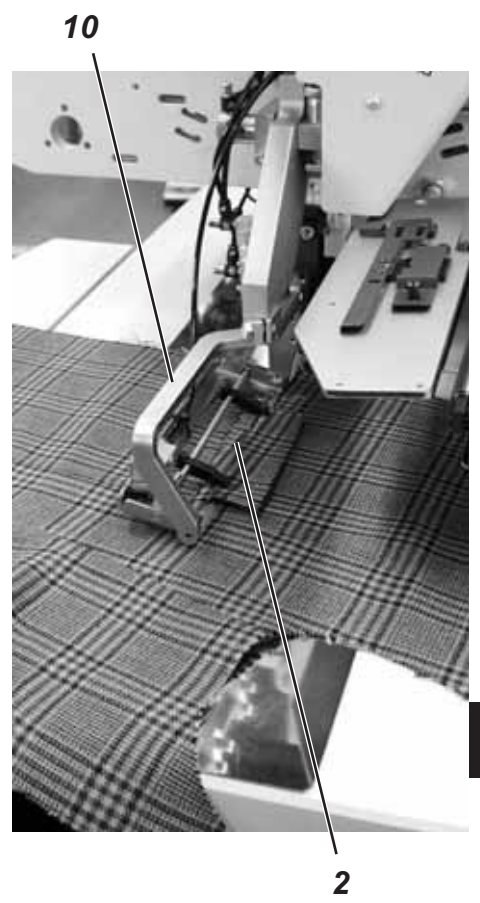
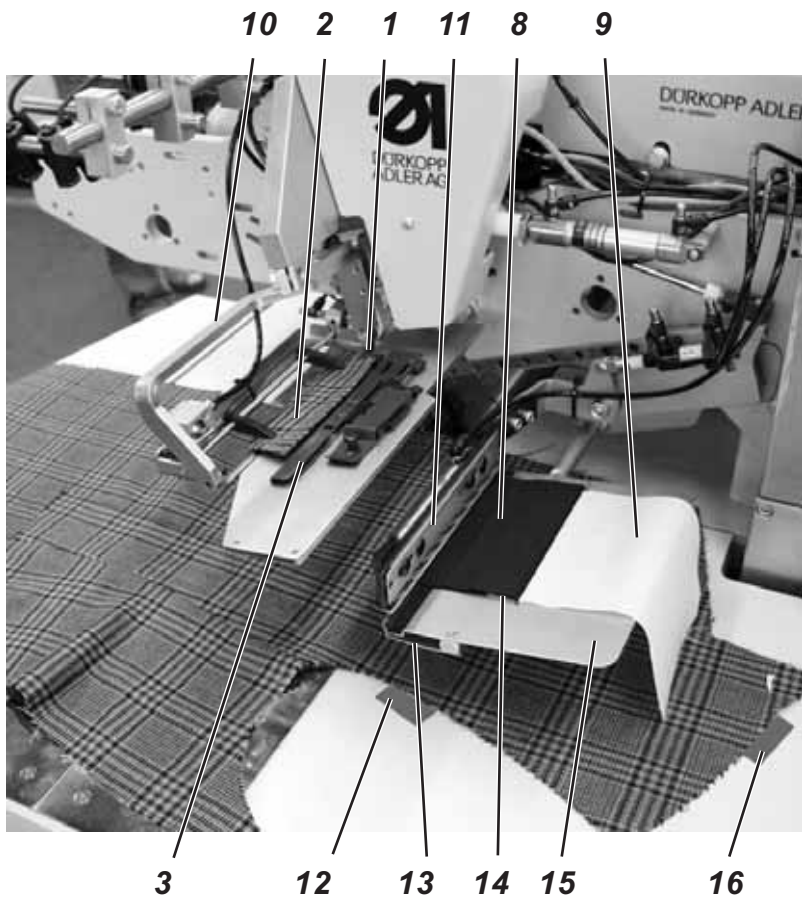
The procedure can be undone by stepping the right pedal backward once again.

4. Step back on the left pedal and hold it stepped down.
The feeding device 10 opens.
5. Position the upper side of breast welt 2 at the stops 1 and 3.
6. Step forward on the left pedal.
The feeding device 10 closes and clamps the breast welt 2.
7. Step forward on the left pedal.
The positioning device 10 swivels with breast welt 2 in alignment position.
8. Align jacket front part to breast welt 2 as per pattern.
9. When equipped with vacuum:
Step forward on the left pedal.
The vacuum is switched on.

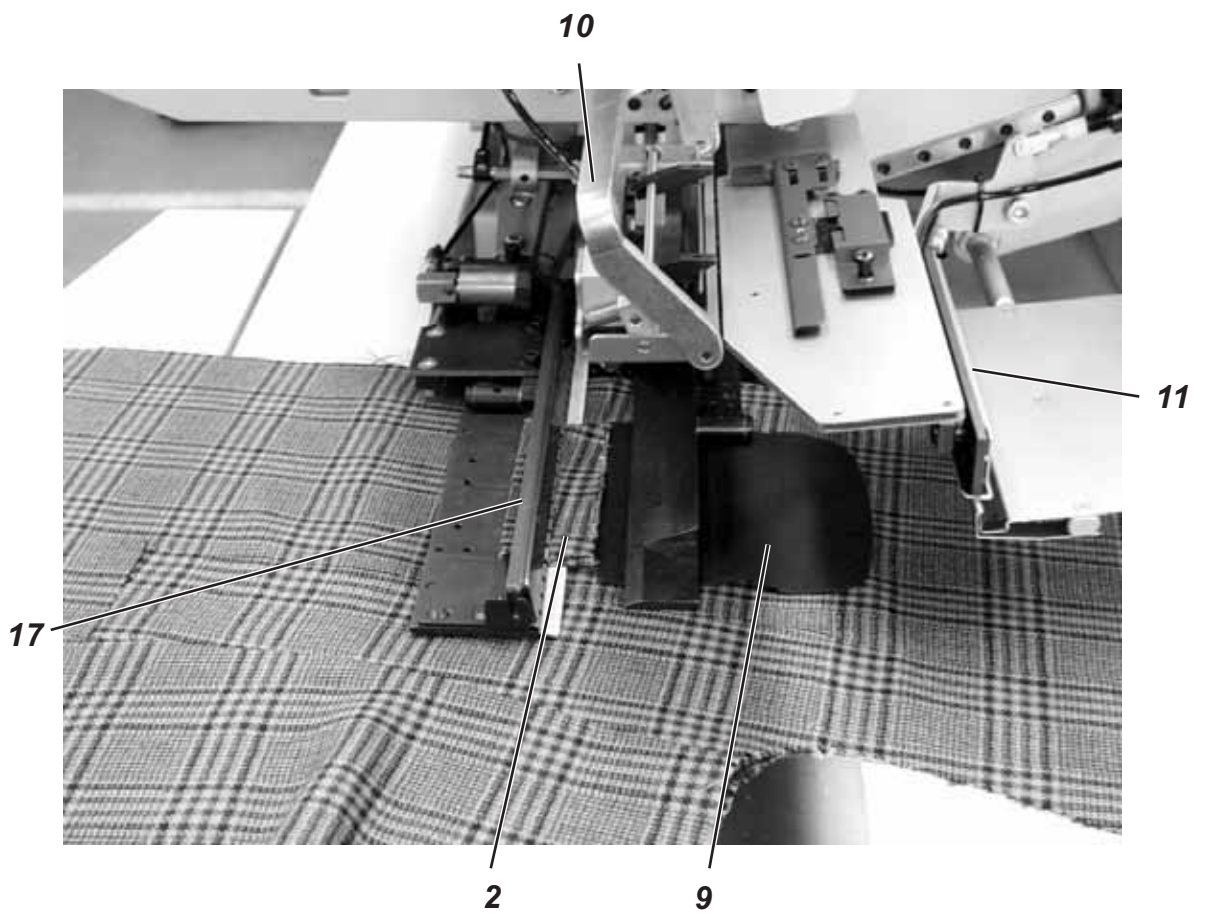
Note

The procedure can be undone by stepping the left pedal back once again.

10. Step forward on the left pedal.
The feeding device 10 turns the breast welt 2.
The gripper 11 runs to the loading area and places the pocket bag 9 on the jacket front part.
11. Step forward on the left pedal.
The transport carriage runs to the loading area.
The feeding clamps lower.
The flap clamp 17 opens.
The positioning device 10 places the turned breast welt 2 on the left feeding clamp.
The flap clamp 17 closes and clamps the breast welt 2.
The positioning device 10 swivels back to the basic position.
The vacuum is switched off automatically.



1

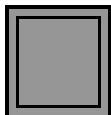


For positioning corrections:

Step back on the left pedal.
The flap clamp 17 opens.

Step back on the left pedal once again.
The feeding clamps lift.
The transport carriage runs back to the waiting position.

12. Step forward on the left pedal.
The positioning process starts anew.

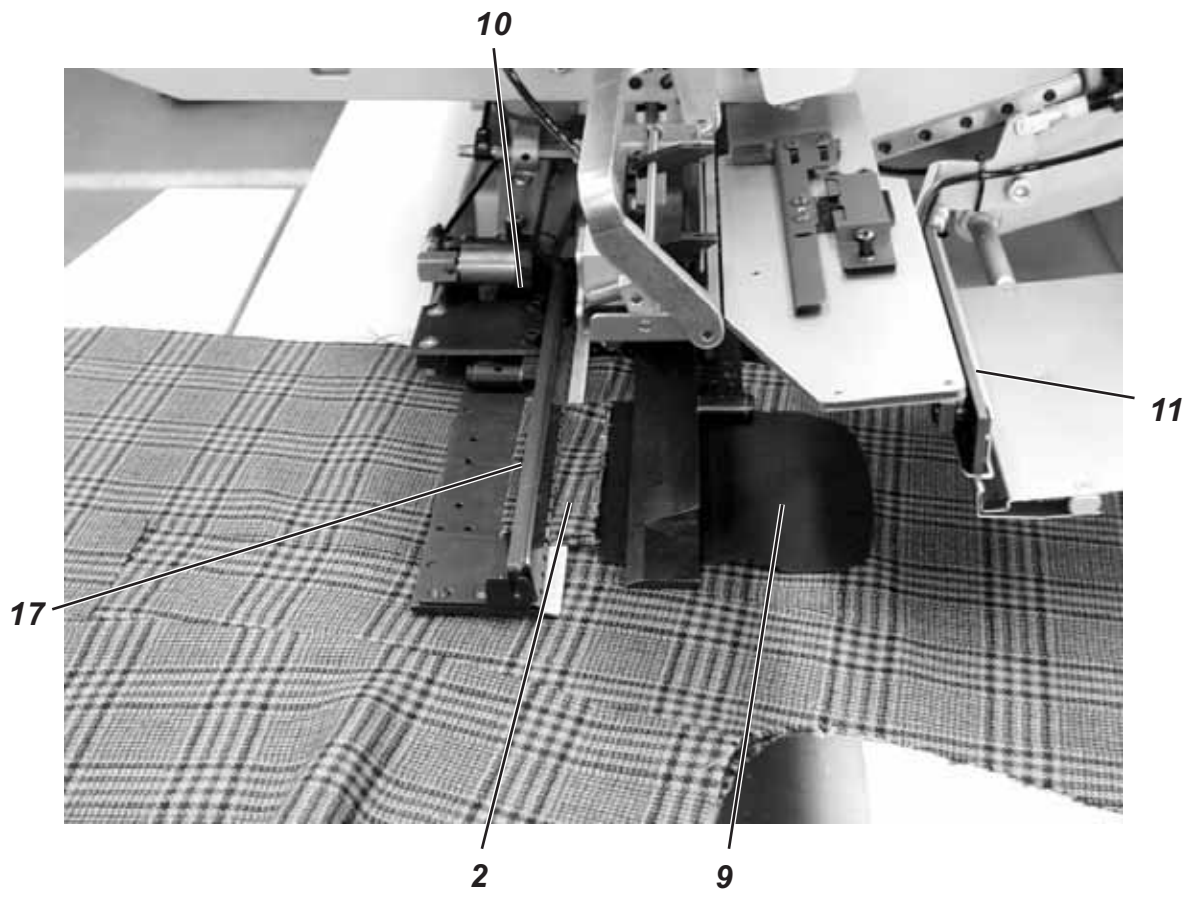


More rapid working method for plain goods

For plain goods (no alignment as per pattern) a more rapid working method can be selected at the control panel (see Programming Instructions, chapter 6.4).

The steps 1 to 6 of the positioning process remain unchanged.
The steps 7 and 8 are effected as described hereafter:

7. If additionally equipped with vacuum:
Step forward on the left pedal.
The vacuum is switched on.
8. Step forward on the left pedal.
The positioning device 10 turns the breast welt 2.
The gripper 11 moves to the loading area and places the pocket bag 9 on the jacket front part.
The transport carriage moves to the loading area.
The feeding clamps lower.
The flap clamp 17 opens.
The positioning device 10 places the turned breast welt 2 on the left feeding clamp.
The flap clamp 17 closes and clamps the breast welt 2.
The positioning device 10 swivels back to the basic position.
The vacuum is switched off automatically.
9. Step forward on the left pedal.
The sewing cycle starts.



1

2.15.6 Working method F Piped pockets, automatic feed of the piping strip, incision of piping ends, matching and feeding of the flap

The working method F allows the matching of the flap as per pattern. There is no need to sketch the flap manually.

The advantages are a simplified and quick handling as well as a constantly high quality when processing chequered and striped fabrics.

Loading positions for right and left jacket front parts

- Position the left jacket front part 10 at the rear light spot 7.
Position the right front part 1 at the front light spot 4.

It is advisable to generate a pocket program for left front parts (rear light spot selected) and a pocket program for right front parts (front light spot selected).

Thus, you only have to alter the pocket program on the main screen when changing between left and right jacket front parts.



Caution: Danger of injury !

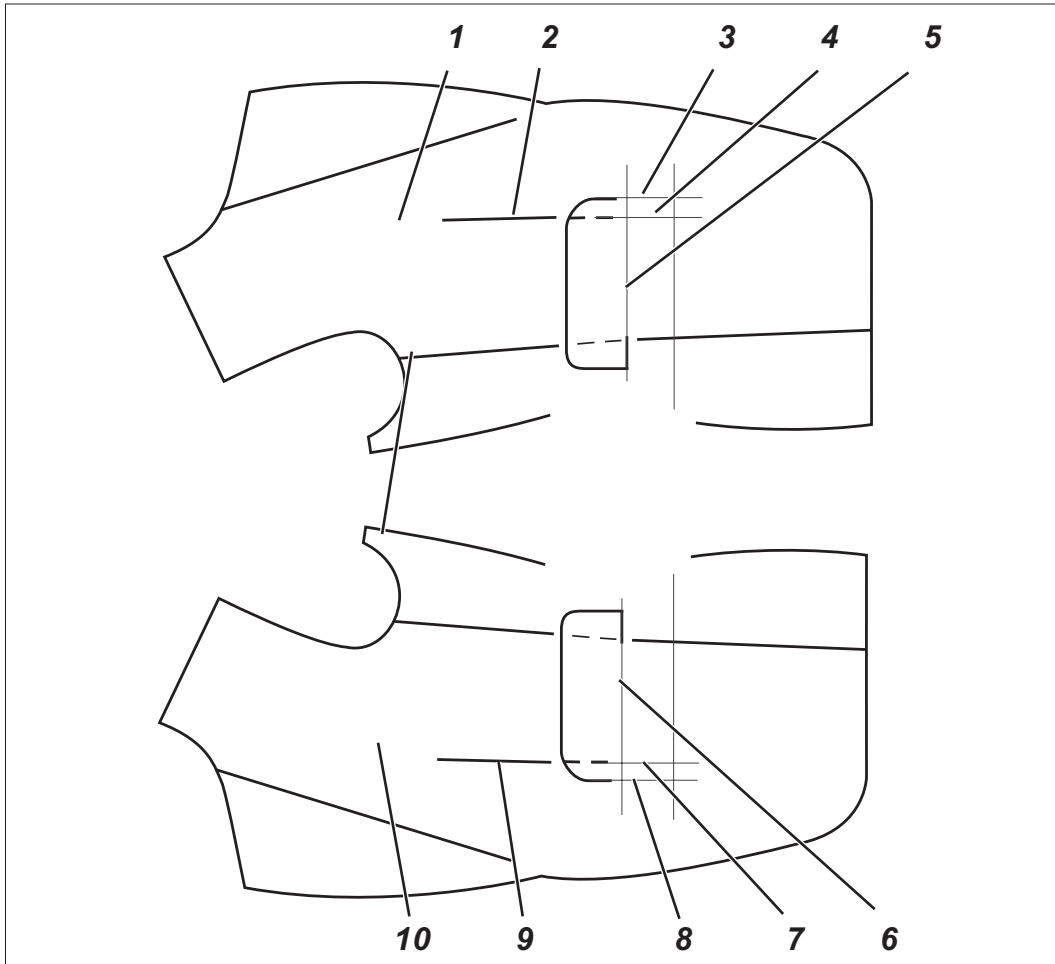
Do not reach into the working area of the positioning device when triggering the individual steps of the positioning process.

Positioning and starting the sewing cycle

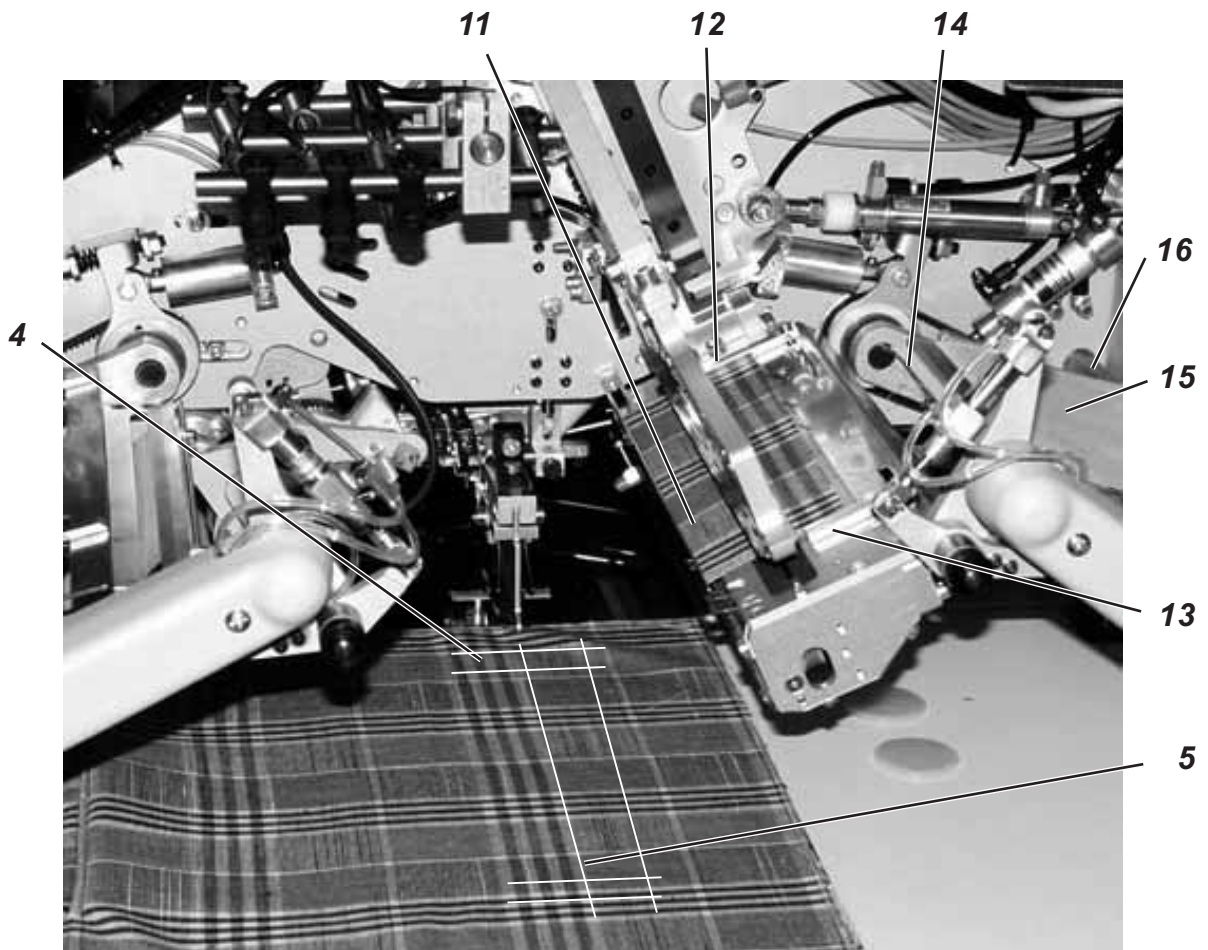
Example: Right jacket front part

With piping incision

1. Position the piping strip 11 at the front stop 12.
(For the left jacket front part position the piping strip at the rear stop 13). Position the piping strip also at the lateral stop.
2. Step the right pedal back and hold it stepped down.
The right flap clamp 14 for the pocket bag 15 opens.
3. Align the pocket bag 15 on the rest table 16 at the positioning mark (e.g. thin adhesive tape).
4. Release the right pedal.
The flap clamp 14 closes.
5. Position the right jacket front part 1 with dart 2 on the light spot 4.
6. Align the pocket incision at the light spot 5 (corner knife incision).
7. If additionally equipped with vacuum:
Step forward on the left pedal.
The vacuum is switched on.



1



8. Step forward on the left pedal.
The matching device 17 swivels in.
9. For a better positioning and alignment of flap 18:
Switch the vacuum on and off by stepping back on the right pedal
in inching operation.
10. Position the flap 18 at the laser marking 19.
11. Align flap 18 to the jacket front part as per pattern in sewing
direction.

If the patterns of flap and jacket front part do not match exactly:

- Step the right pedal back.
The vacuum is switched off.
- Align the jacket front part as per the pattern of flap 18 by slightly
shifting it to the right or to the left.
- Step forward on the right pedal.
The vacuum is switched on again.

Note !

Do not shift the jacket front part too far so that the pocket opening
will not tear at the pocket incision.



ATTENTION!

After the alignment as per pattern the flap edge 23 must not project
beyond the light spot 3.
If the sewing range is exceeded, the function sequence is interrupted.
Error number 9720 or 9722 appears in the display.

12. Step forward on the left pedal.
Clamp 17 of the matching device closes.
13. Step forward on the left pedal.
The matching device swivels up and turns the flap 18.
The flap feeder 20 seizes the flap 18 and holds it clamped.
14. The piping strip is cut and taken up by the pick-up folder. The
transport carriage moves to the loading position.
The feeding clamps lower.



15. Step forward on the left pedal.
The pick-up folder 21 lowers with the piping strip.
The folding sheets close. The piping strip is blown against the
folder by air nozzles fitted in the feeding clamps. For the
adjustment see Programming Instructions, chapter 6.4 Modes
“**Blowing of pocket bag/flap**”.

For positioning corrections step the left pedal back:

- 1st touch of pedal: The folding sheets open.
The pick-up folder 23 swivels back to the
initial position.
- 2nd touch of pedal: The feeding clamps lift.
- 3rd touch of pedal: The transport carriage moves back to the
waiting position.

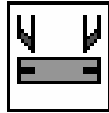
16. Step forward on the left pedal.
The flap feeder 20 swivels in with flap 18.
The flap feeder with the pocket bag swivels in.
The flap clamps on the feeding clamps close.

17. Step forward on the left pedal.
The sewing cycle starts.

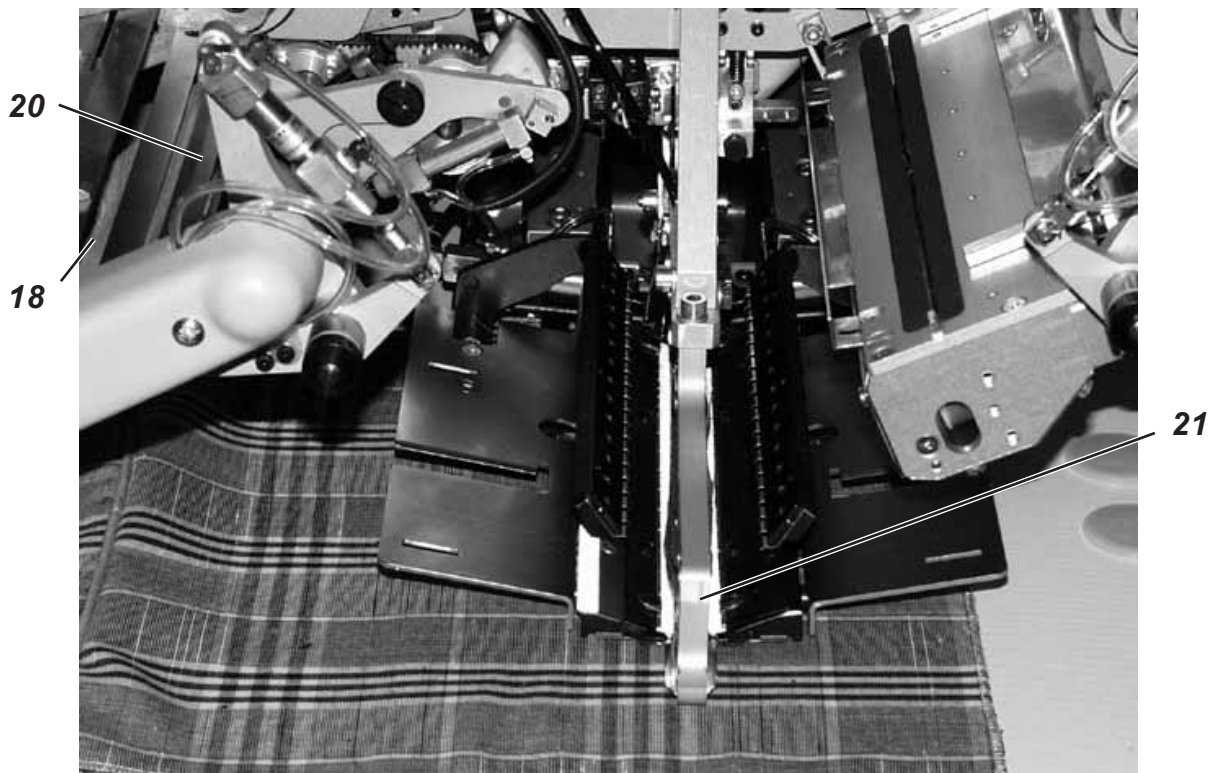
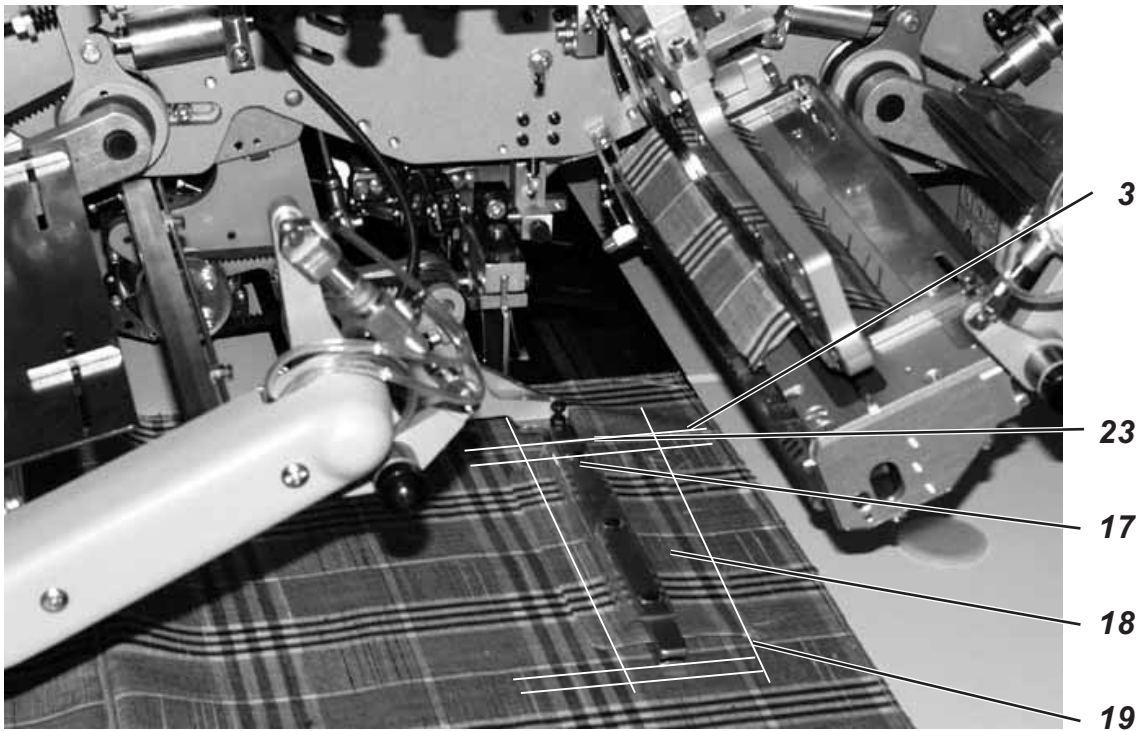
Note



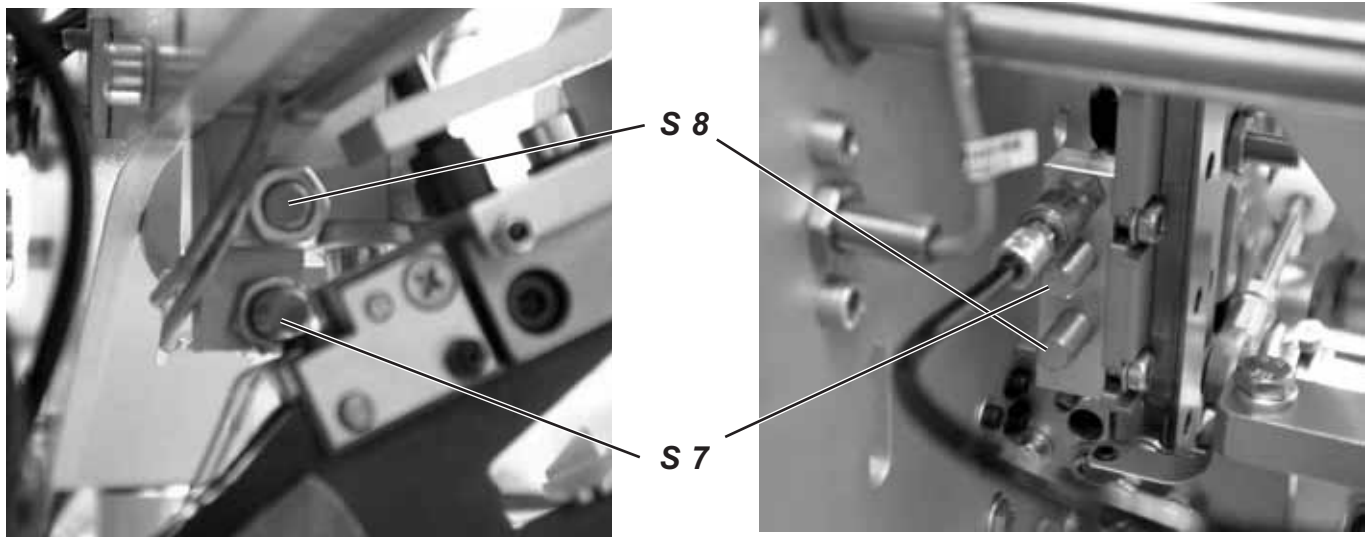
According to the selected pedal mode the sequence of the positions 12 to 18 is effected in inching operation or automatically.
See Programming Instructions, chapter 6.4, for pedal mode selection.



By actuating the key "F3" the piping strip already picked up can be released again.



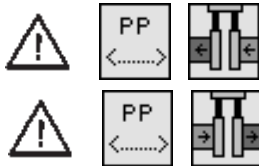
2.15.7 Folder monitoring



The folder in use is monitored by the sensors S 7 and S 8. The sensors are actuated by a hexagonal bolt screwed in the pick-up folder.

If a sewing program with incorrect clamp position settings is started, the following message appears:

Info 9014



Correction

- Step back on the left pedal.
The error message is cancelled.
- Select another program or alter the setting in the program.

Setting



Single piping, left

The upper sensor S 8 is active. The outer position of the left clamp must be set.



Single piping, right

The lower sensor S 7 is active. The outer position of the right clamp must be set.



Double piping

None of the sensors is active.

2.16 Functions and operation of the optional equipment

In this chapter the function and the operation of the most important optional equipment is described.

2.16.1 Automatic incision device for piping ends

With the automatic incision device for piping ends the piping strip end is cut open from the center knife incision to the piping ends. The cutting areas are automatically adapted to the respective seam length as well as to the positioning point.

The piping strip ends can be notched up to 30 mm (with a pocket length of 180 mm) or 20 mm (with a pocket length of 200 mm). The incision device for piping ends is already a component of the E-equipments E 3503, E 3504, E 3507 and E 3508.

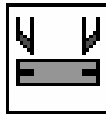
The total length **L** of a piping incision always amounts to approx. 45-50 mm (dependent on the fabric) and cannot be altered. The programmable value **S** indicates the length of the cut **within** the pocket length **T**. The value **S** is set to 15 mm as a standard. With this adjustment the piping strip is notched 30 mm from the seam. When increasing the value **S** the cut is shifted to the middle of the pocket; when the value **S** is reduced, the cut is shifted outwards (see sketch on page 67).

Note

At the front or the rear positioning point with sewing lengths of 200 mm the cutting length can **only** be altered inwards to the middle of the pocket.

Activating and switching the piping incision device on

- Select the parameter "Piping incision device" and the icon "**Piping incision device on/off**" under the menu item "Pocket parameters" (key F1) - see Programming Instructions, chapter 5.4.

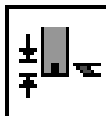
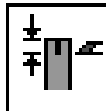
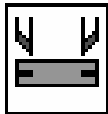


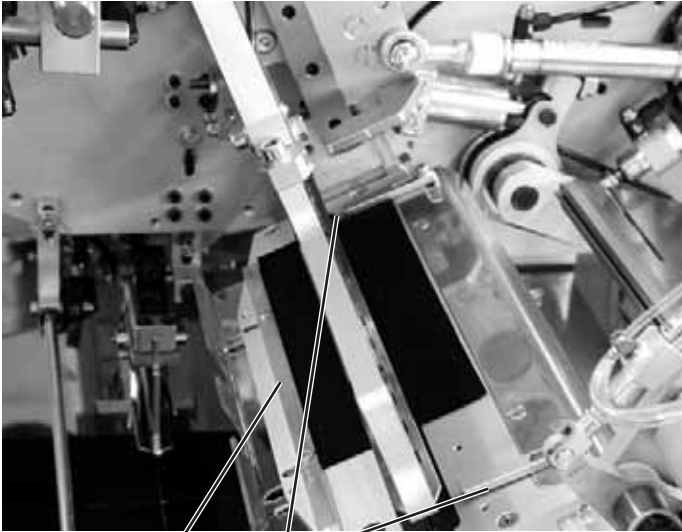
Correcting the position of the cut

- Select the parameters "**Piping incision device on/off - Correcting the piping incision at the seam beginning**" or "**Piping incision device on/off - Correcting the piping incision at the seam end**" under the menu item "Pocket parameters" (key F1)

(See Programming Instructions, chapter 6.4)

The entered correcting value corresponds to the value **S**. (see sketch on page 69)





2

1



3

Function and operation

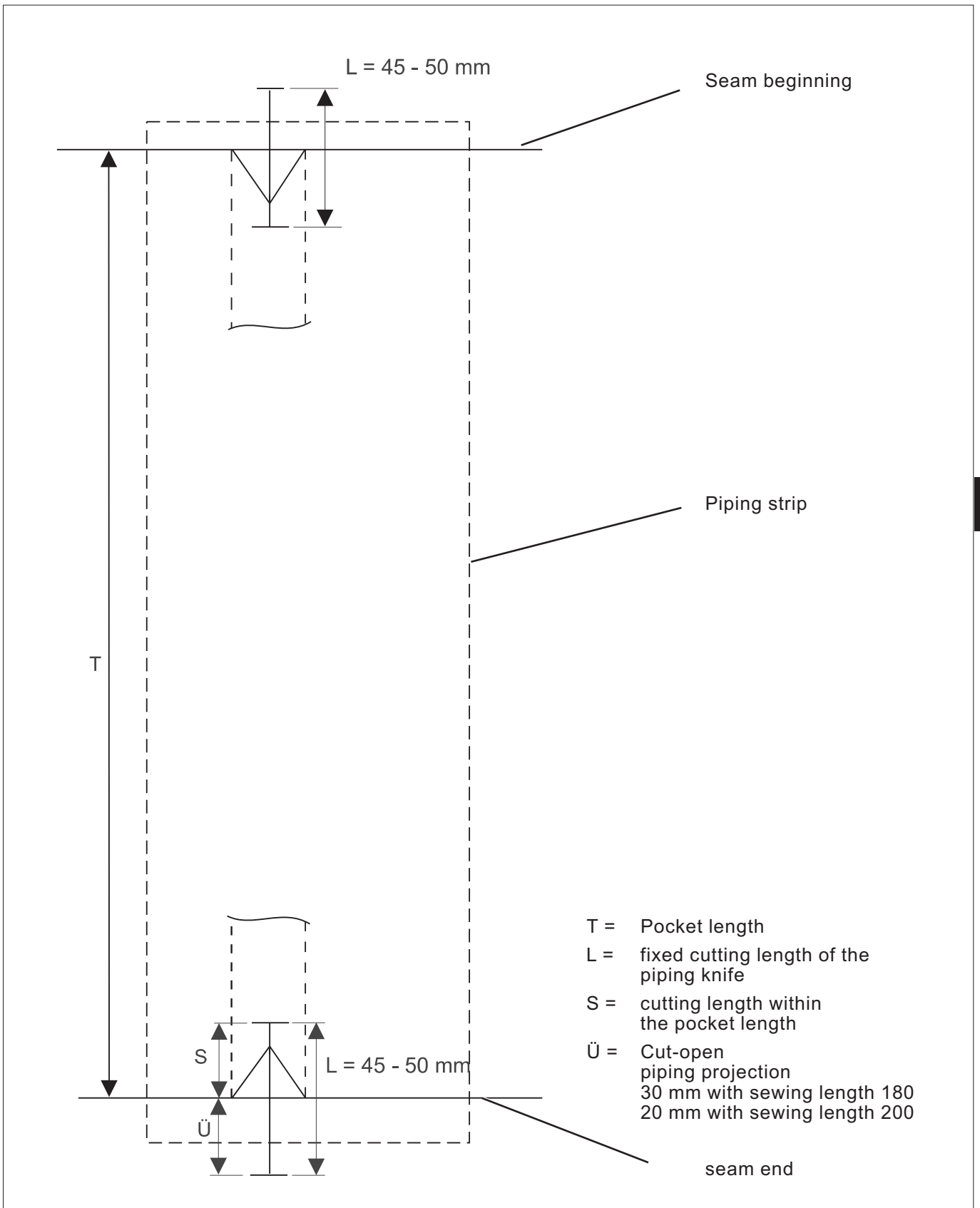
Positioning when processing double piping

- Position the piping strip at the front or rear stop 1 for the respective positioning point. Position the piping strip also at the lateral stop 2.
- Carry out the loading process as described in chapter 2.15.4 (method B) or chapter 2.15.6 (method F) and start the sewing cycle.

Positioning when processing single piping

- Position the piping strip at the front or rear stop 1. Position the piping strip also at the center stop 3.

View of the cutting areas



1

Example:
Cutting length:
Fixed cutting length:
Cut-open piping projection:

$S = 15$ mm
 $L = 45$ mm
 $\ddot{U} = 30$ mm

2.16.2 Downholder, pocket bag and waistband clamp

With these equipment hind trousers and pocket bags are safely held when smoothing out the fullness caused by the dart.

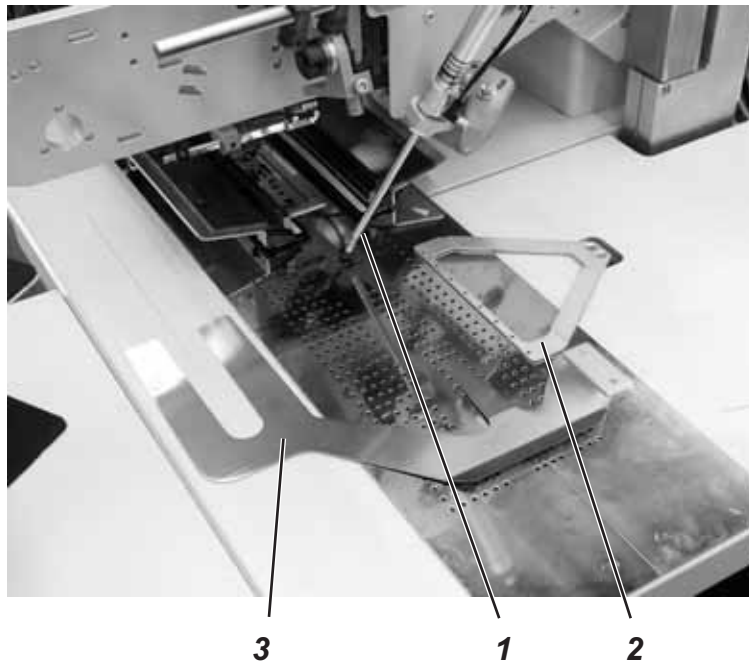
The devices consist of the following components:

Order No. **0745 597514**

- Downholder 1
- Pocket bag clamp 3

Order No. **0745 597524**

- Waistband clamp 2



Caution: Danger of injury!

Do not reach under downholder 1 and waistband clamp 2 during the positioning process.

Function

- Push the pocket bag under the pocket bag clamp 3 and align.
- Push the hind trousers under the open waistband clamp 2 and align.
- Step forward on the left pedal
Downholder 1 and waistband clamp 2 lower and clamp the hind trousers in its position.
- Smooth out the clamped hind trousers laterally and to the front.

2.16.3 Feeding devices for flaps, pocket bags etc.

When using these feeding aids the total duration of a working cycle is reduced.
Flap, pocket bag etc. are manually positioned during the machine time already.

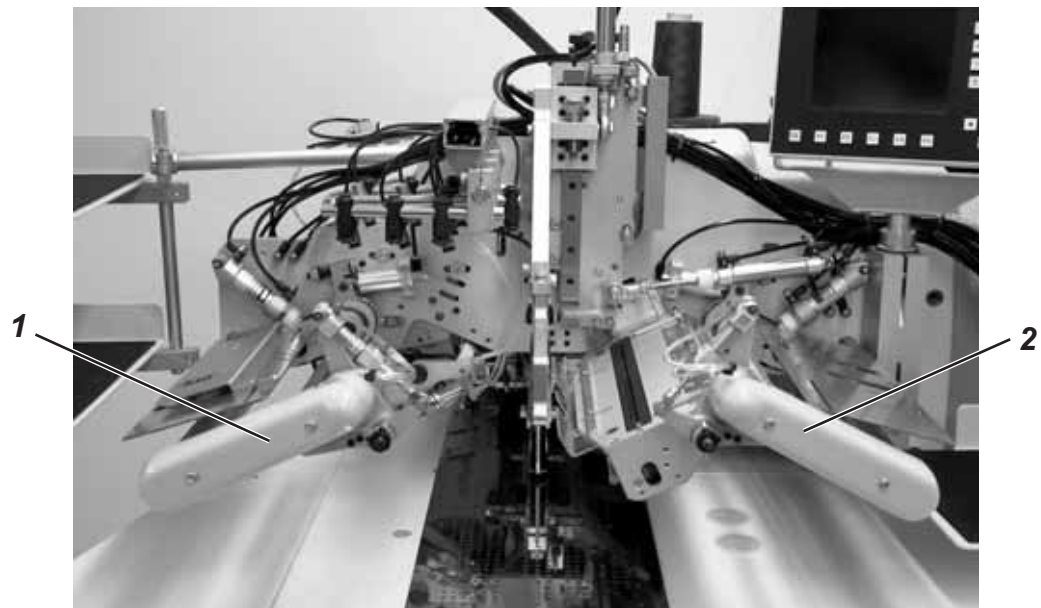
All feeding devices can also be used in combination with the device for cutting open the piping ends.

The feeding devices are equipped with a blower for a flat pocket bag.

Two different feeding devices are available for an optimum adaptation to the respective field of application:

0745 517564 Left feeding devices, sewing length 180-220 mm

0745 517574 Right feeding devices, sewing length 180-220 mm



Switching the transfer device on

- Switch the transfer device on in the menu item "Pocket parameters (F1)".



Function

- Step the right pedal back and hold it stepped down.
The right clamp 2 of the feeding device opens.
- Insert flap or additional part in the feeding device.
- Release the right pedal.
The flap clamp 2 closes.
- Step forward on the right pedal and hold it stepped down.
The left flap clamp 1 opens.
- Position the flap at the stops of the feeding device.
- Release the right pedal.
The flap clamp 1 closes.

After the folding process

- Step forward on the left pedal.
The flap clamps 1 & 2 swivel in the loading area and feeds the flap automatically.

2.16.4 Throw-over stacker

The finished workpieces are stacked on the throw-over stacker (Order No. **0745 597554**).

The stacked and clamped workpieces can be removed when actuating the foot switch 7.

The triggering of the stacker is effected via a control impulse from the solenoid valve **YC 111**.

The pneumatic functions can be taken from the enclosed pneumatic connection diagram.



Activating the stacker

- Activate the stacker at the control panel in the menu “Machine parameters”.
(See Programming Instructions, chapter 7.2)
The parameter signals the control that the sewing unit is equipped with a stacker.



Switching the stacker on

- Switch the stacker on in the menu “Pocket parameters”.
(See Programming Instructions, chapter 6.4)

Function sequence



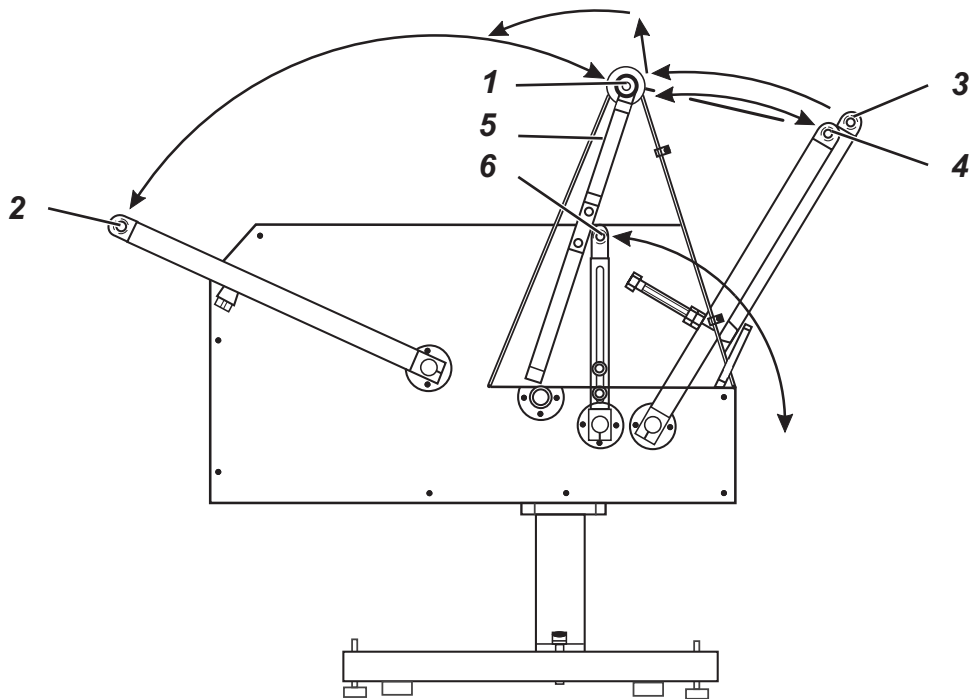
Caution: Danger of injury!

Do not reach into the working area of the throw-over stacker during the stacking process.

- During the sewing cycle the material runs into the opening between the stacked goods stand 1 and the clamping pipe 4.
- After notching the corners and lifting of the feeding clamps the stacking process is triggered by the control impulse from the solenoid valve **YC 111**.
Clamping pipe 4 and smoother 3 swing against the stacked goods stand 1. The material is clamped.
- A pneumatic cylinder holds the clamping pipe 4 at the stacked goods stand 1.
- Clamping pipe 2 and counter-holder 6 open.
For this purpose they swing away from the stacked goods stand 1.
- The smoother 3 lifts and smoothes the material out above the stacked goods stand 1 and the rest sheet 5.
- Before the smoother 3 reaches its front end position, it swings back to its initial position.
- Clamping pipe 2 and counter-holder 6 close.
For this purpose they swing back against the stacked goods stand 1 and clamp the stacked material.
- The clamping pipe 3 swings back behind the clamping pipe 4.
- In this position the motion sequence is briefly interrupted.
The material is safely clamped.
- The clamping pipes 4 and 3 swing back to the basic position and the clamping pipe 2 is held at the stacked goods stand 1.

Removing the stacked workpieces

- Actuate the foot switch 7 and hold it down.
The clamping pipe 2 and the counter-holder 6 open for removal of the pieces.
For this purpose they swing away from the stacked goods stand 1.
- Remove the stacked workpieces.



2.16.5 Roll-off device

The stacker extension (Order No. **0745 597954**) is used in combination with the throw-over stacker.

The transport rollers 1 convey the workpiece into the stacker opening. This is necessary for all workpieces positioned in transverse direction or which are too short for being seized by the throw-over stacker (e.g. when sewing lining inside pockets).

The workpiece must have a minimum length of 200 mm from the middle of the pocket opening to the left edge so that it can safely be grasped by the transport rollers 1.

The transport rollers 1 are driven via an electronically adjustable drive. The roller speed and the duty cycle can be separately set in multiple stages at the control panel of the control.

Activating and switching on the stacker extension



ATTENTION!

During the rolling-off the solenoid valves have a dual function.

- Stacker switched on: Roll-off device as stacker extension
- Stacker switched off: Roll-off device as ejector



- Activate the roll-off device at the control panel in the menu item “Machine parameters”.
(See Programming Instructions, chapter 7.2)
The parameter signals the control that the sewing unit is equipped with a roll-off device.



- Switch on throw-over stacker and stacker extension in the menu item “Pocket parameters”.
(See Programming Instructions, chapter 6.4)

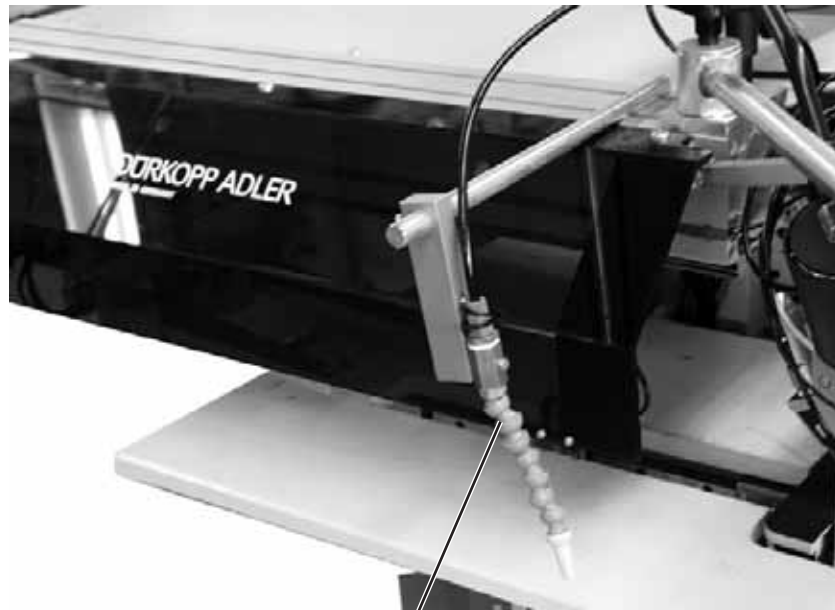


Function

- With the lifting of the feeding clamps after the sewing and cutting sequences the transport rollers 1 lower.
- The transport rollers 1 convey the small workpiece into the stacker opening.
- The stacking process follows.

2.16.6 Blow-out device

The blow-out device 1 (Order No. **0745 597604**) is used in conjunction with the bundle clamp.
The blower pipe conveys the workpiece out of the sewing area.



1

1



Switching the blow-out device on

- Switch the blow-out device on in the menu item “Machine parameters”. (See Programming Instructions, chapter 7.2)

Note:

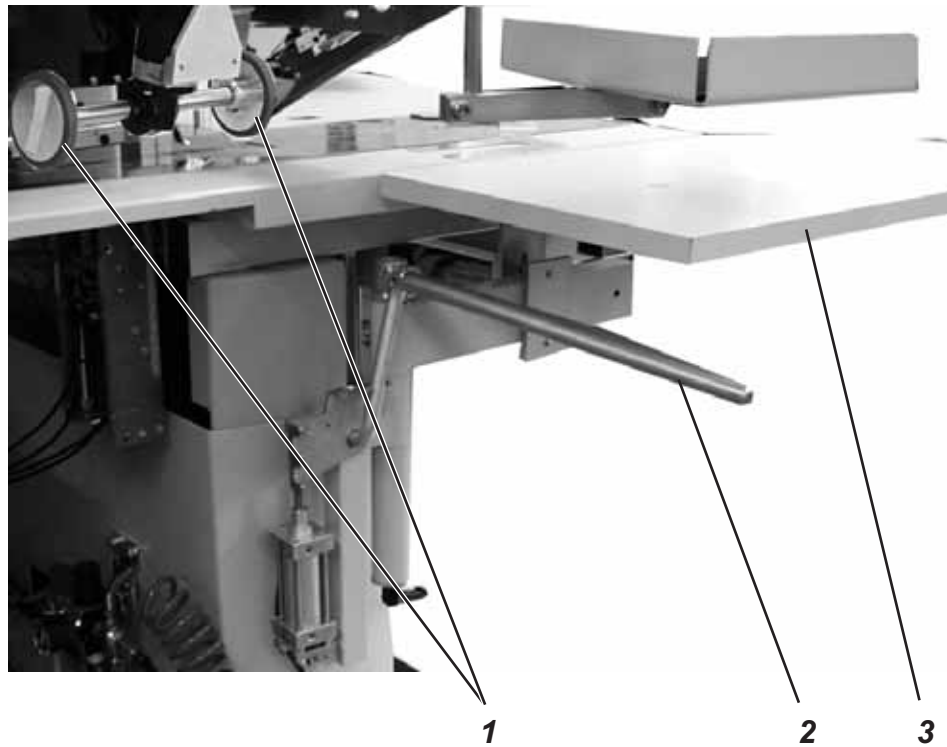
The blower pipe blows until the light barrier at the stapler control is free.

2.16.7 Bundle clamp and roll-off device

The roll-off device (Order No. **0745 597954**) is used when sewing hind trousers parts.

The transport rollers 1 convey the finished workpiece out of the sewing unit so that it hangs down on the bundle clamp 2 (Order No. **0745 597694**).

The transport rollers 1 are driven via an electronically adjustable drive. The roller speed and the duty cycle can be separately set in multiple stages at the control panel of the control.



Caution: Danger of injury !

Risk of suffering bruising between the arms of the bundle clamps.

Function and operation

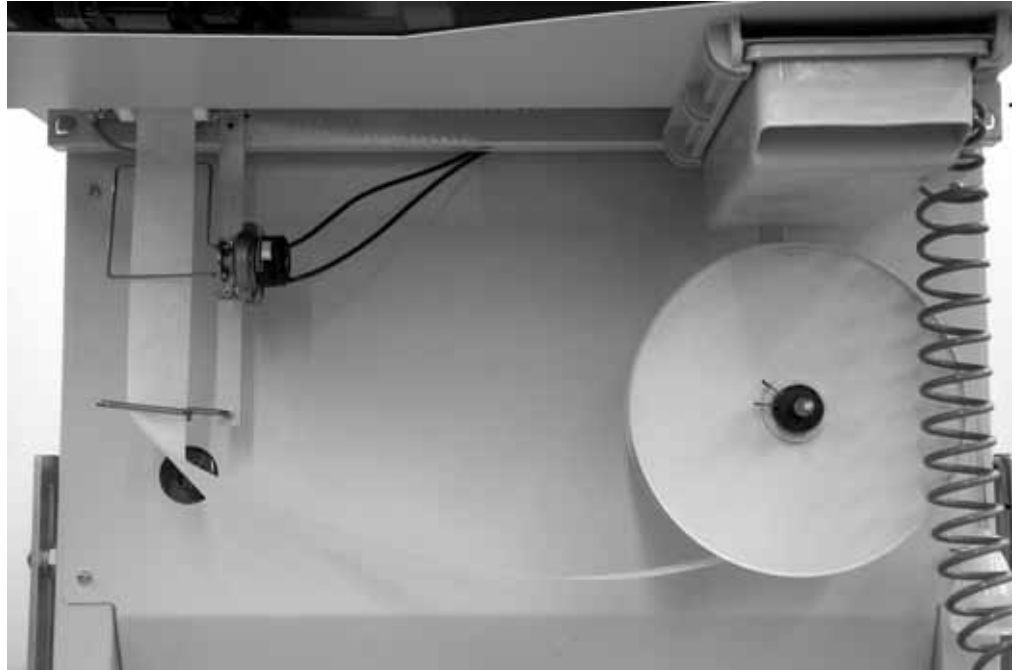
- Step the foot switch down and hold it down.
The bundle clamp 2 opens.
- Hang the hind trousers parts in bundle clamp 2.
- Release the foot switch.
The bundle clamp 2 closes.
- Place the clamped hind trousers parts on the table extension 3 (Order No. **0745 597674**).
- With the lifting of the feeding clamps after the sewing and cutting sequences the transport rollers 1 lower.
- The transport rollers 1 convey the hind trousers part out of the sewing unit.
The hind trousers part hangs down on the bundle clamp 2 then.

2.16.8 Tape feed and automatic cutting

The electromotive, length-controlled tape feed and automatic cutting transports the reinforcement strip under the pocket opening and cuts it off at the seam end (e.g. when sewing jacket inside and outside pockets).

The whole sequence occurs within the machine time.
Further positioning and auxiliary times are not required.

Order No. 0745 597944



1

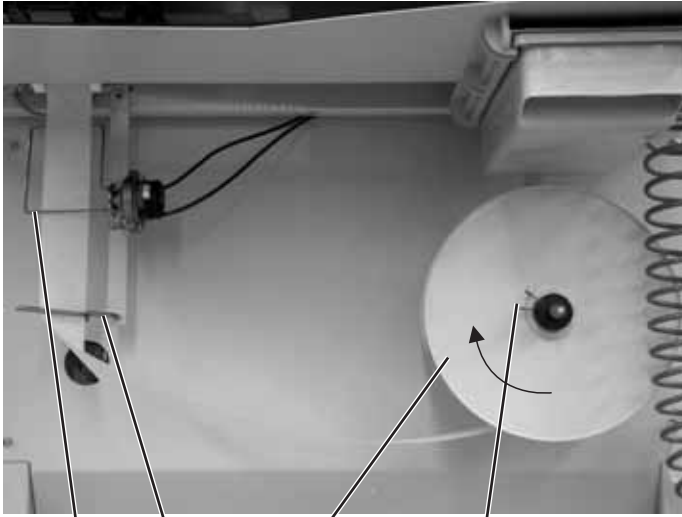
Activating the tape feed and switching it on



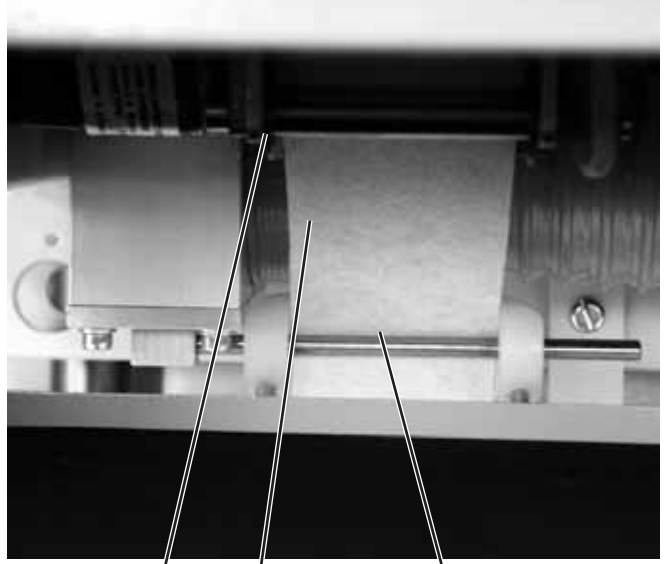
- Activate the tape feed at the control panel in the menu item "Machine parameters".
(See Programming Instructions, chapter 7.2)
The parameters signals the control that the sewing unit is equipped with a tape feed.



- Switch the tape feed on in the menu item "Pocket program".
(See Programming Instructions, chapter 6.4)



3 11 2 1



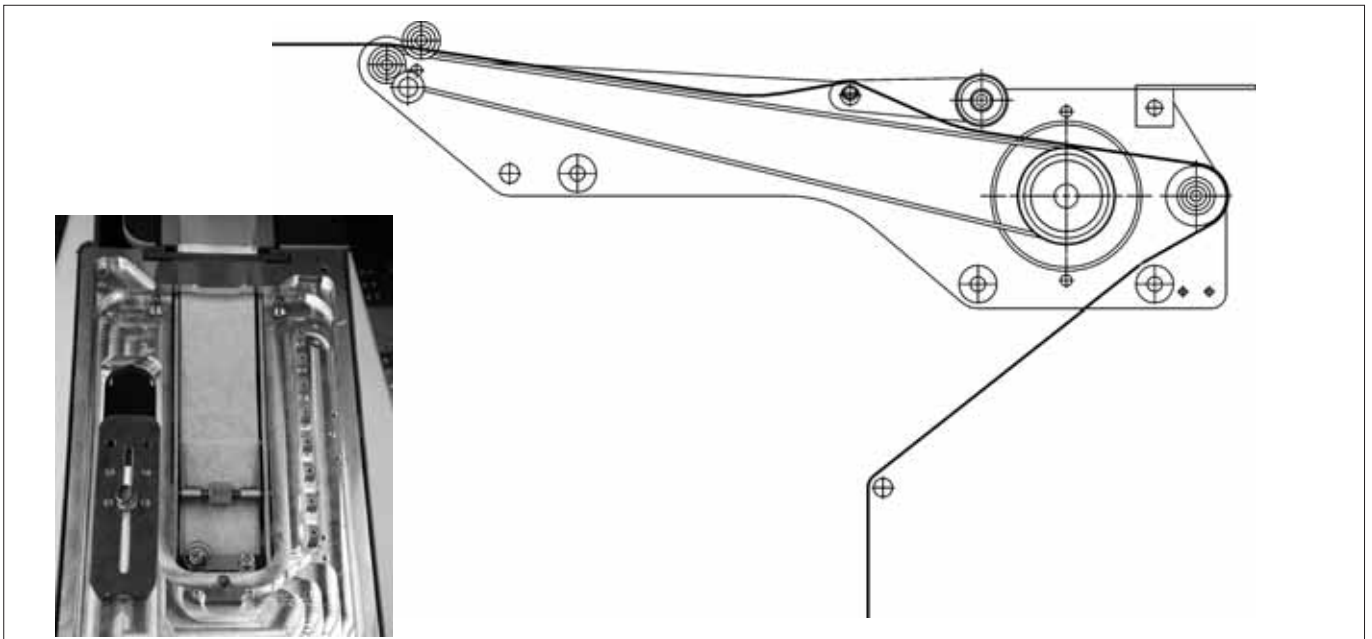
6 5 4



7



10 9



Inserting the reinforcement strip

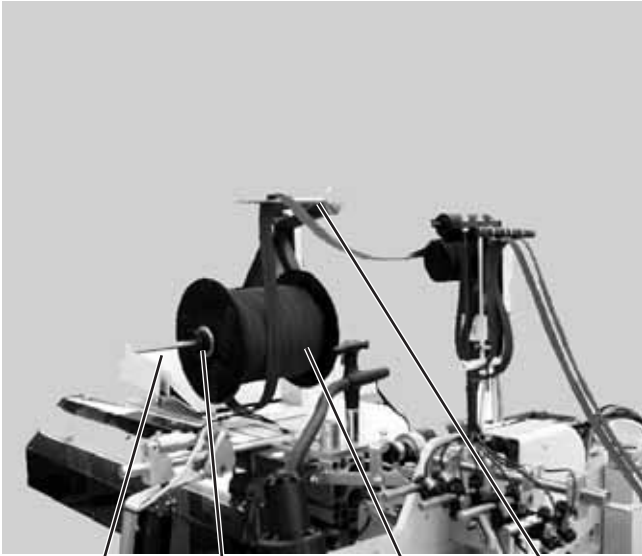
- Press the wire clamp 1 together.
- Pull off the disc 2 and remove the empty roll.
- Insert a new roll.
The full roll must rotate in the indicated arrow direction when unwinding (counter-clockwise).
- Guide the reinforcement strip 5 through the wire bow 11.
- Guide the reinforcement strip 5 through the wire bow of the tape puller 3.
- Guide the reinforcement strip sequentially through the guides 4 and 6.
- Swivel the fabric sliding sheets 7 and 8 aside.
- Press the slide 9 backwards and lift off the cover 10.
- Press the key "F4".
The tape brake is released and the reinforcement strip is advanced continuously.
- Insert the reinforcement strip in the feeding device according to the sketch.
- Transport the reinforcement strip approx. 20 mm on the fabric sliding sheet for the first working cycle.
- Swivel the fabric sliding sheets 7 and 8 back again.
- Press the key "F4".
The reinforcement strip is cut to the correct length.



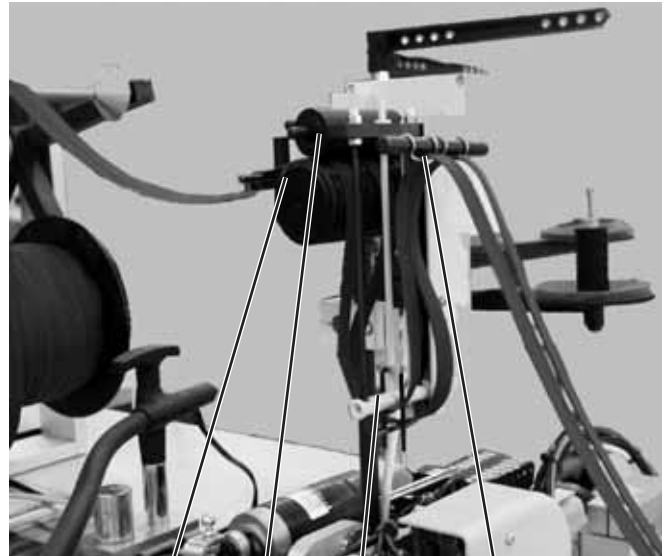
Function and operation

- The tape puller pulls a short length of the reinforcement strip from the roll.
- Before the next sewing cycle the transport roller of the feeding device advances the reinforcement strip a little.
- When sewing the pocket opening the reinforcement strip is seized and sewn in according to the set sewing length.
- At the seam end the reinforcement strip is cut off automatically.
- The tape projection at the seam beginning and seam end can be set in the menu item "Pocket parameters".
(See Programming Instructions, chapter 6.4)

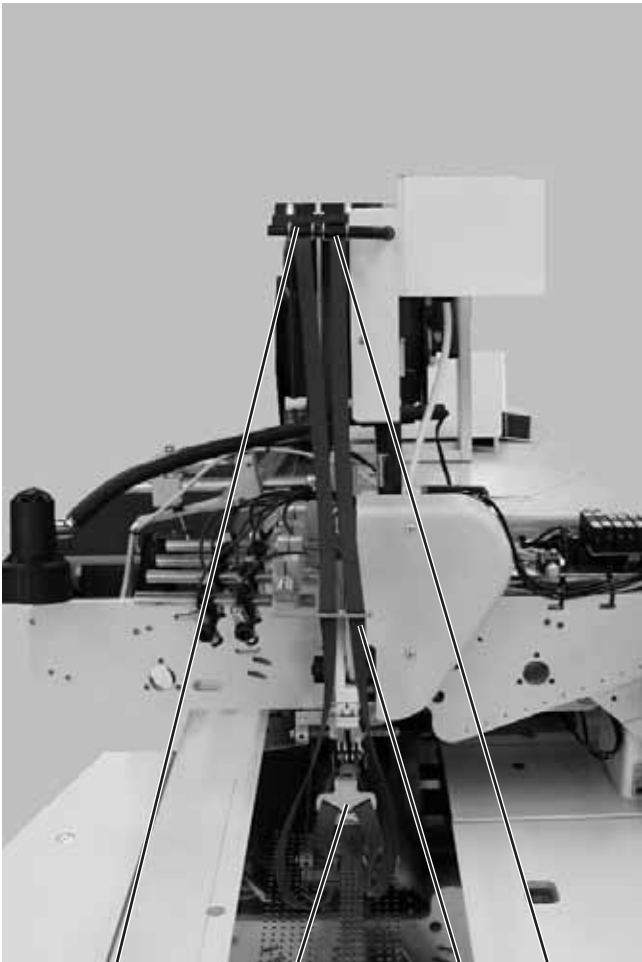




4 3 2 1



8 7 6 5



5 10 9 5



12 11

2.16.9 Endless zipper device

The endless zipper device is available under the order number **0745 597544**.

Activating and switching the zipper device on



- Activate the zipper device at the control panel in the menu item “Machine parameters”.
(See Programming Instructions, chapter 7.2)
The parameter signals the control that the sewing unit is equipped with a zipper device.



- Switch the zipper device on in the menu item “Pocket parameters”.
(See Programming Instructions, chapter 6.4)

Inserting the endless zipper

- Loosen the screw at the holder 3 and pull the holder off the bar 4.
- Push the zipper roll on the bar 4 as shown in the illustration.
- Push the holder 3 close to the roll and secure it with the screw.
- Lay the zipper over the bar 1 and pull it to the feed rollers 7 and 8.
- Lift roller 7 and place the zipper between the two drive rollers.
- Lower the roller 7 again.
- Guide the zipper down around the switch rod and upwards to the guides 5.
- Thread the zipper through the guides 5.
- Pull the zipper halves through the guides 9.
- Push the zipper halves through the guide 10 at the folder.
- Lay the zipper halves 11 along the folder, push them through the guides 12 and pull them backwards until they are approx. 20 mm beyond the folder.



Caution: Danger of injury !

During the swivelling and cutting process.

Function

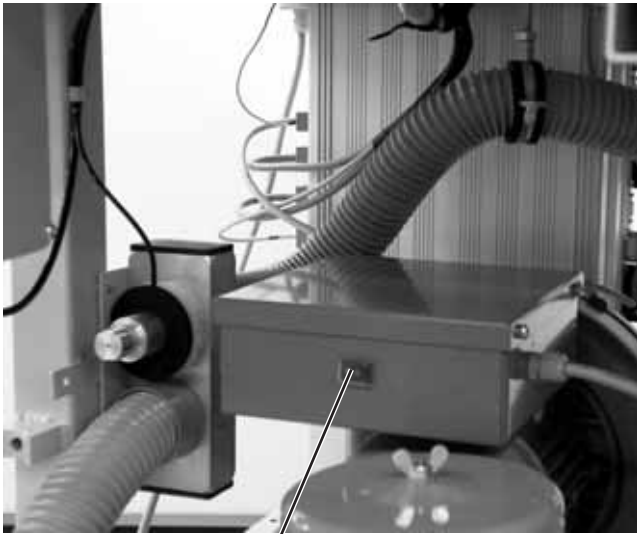
When the zipper halves are pulled by the feeding clamps during the sewing process, the feed rod 6 is pulled upwards by the zipper getting shorter.

The feed rod switches the zipper feed on and the drive rollers 7 and 8 go on feeding the zipper until the switch rod drops and switches the feed off again.

Thus it is made sure that there is always enough zipper material available for sewing.

2.16.10 Vacuum device

The vacuum device to be ordered under the order number **0745 597624** is required for an accurate positioning of the workpieces, if no in-house vacuum unit is available.



1



3

2

Switching the vacuum device on

- Switch on switch 1 at the control box of the vacuum unit.
- Activate the vacuum at the control panel in the menu item "Pocket parameters".



Adjusting the vacuum intensity

- Loosen the knurled nut 3.
- Shift the slide 2:
backwards (towards the machine head) = less vacuum
forwards (towards the operator) = more vacuum
- Tighten the knurled nut 3.

2.16.11 Working method B with set of parts “Pocket bag on flap”

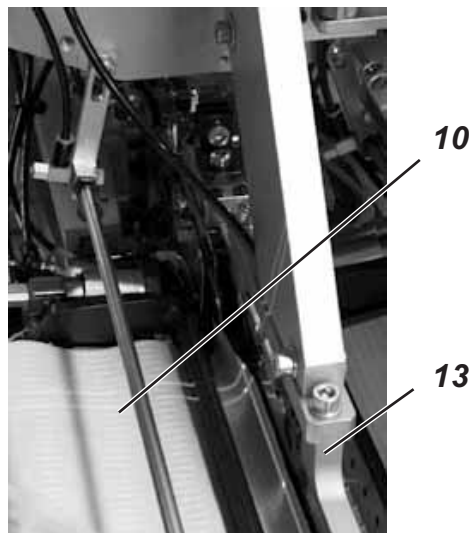
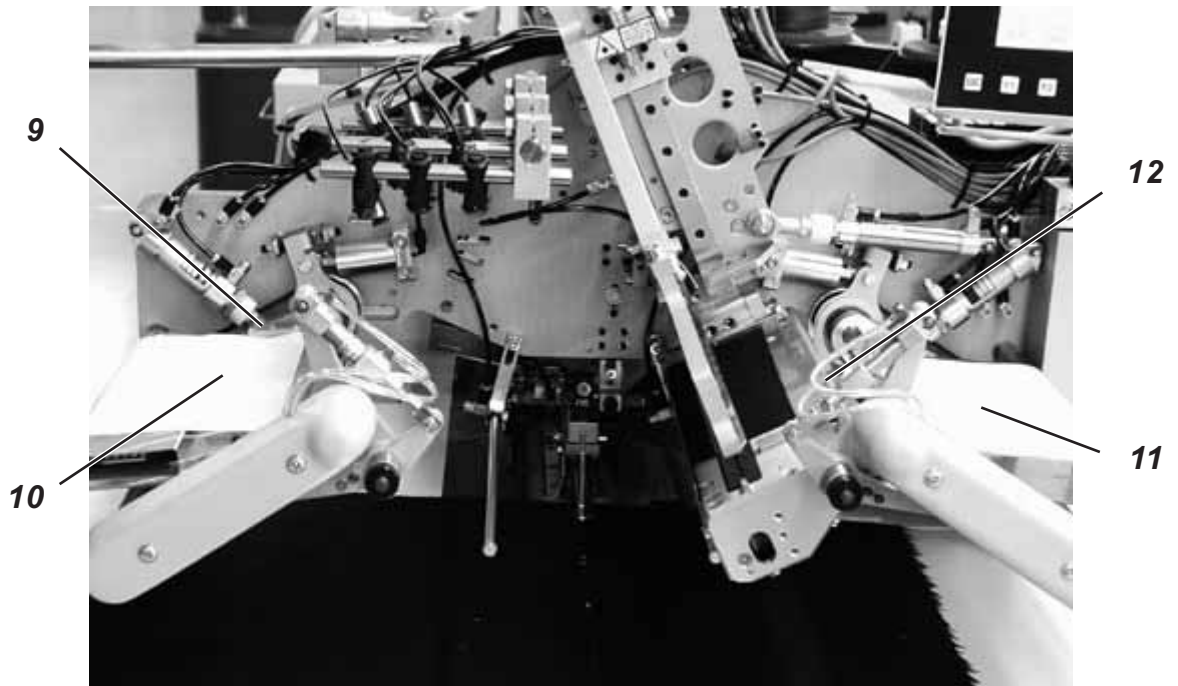
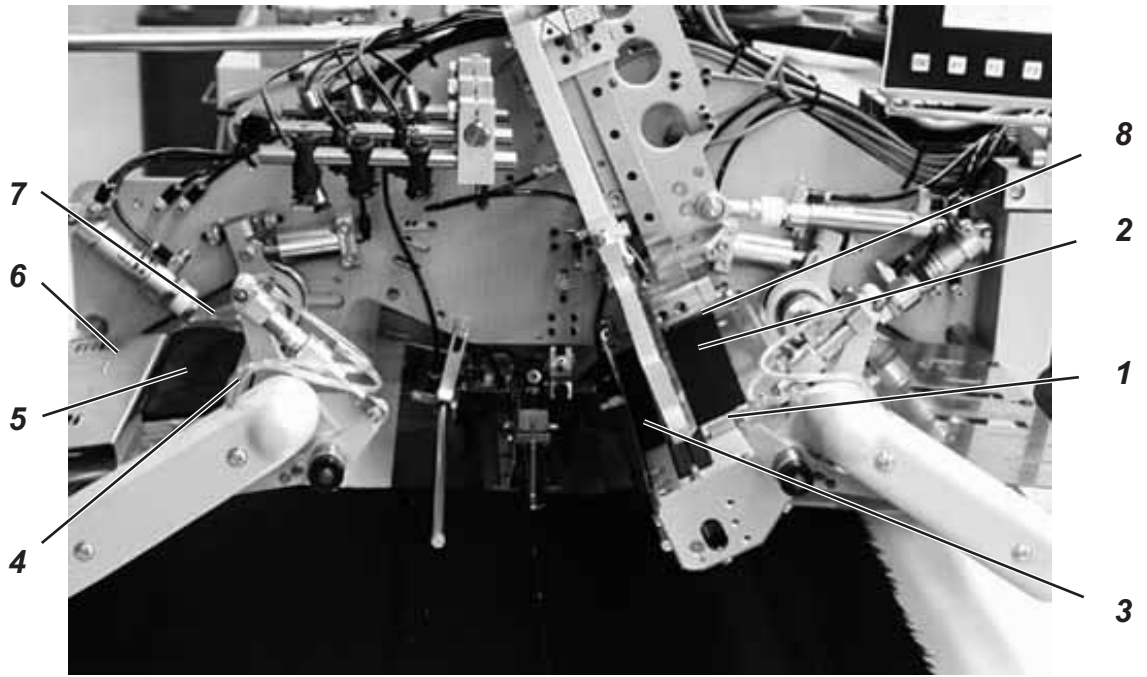
The set of parts allows the simultaneous attaching of two pocket bag halves when sewing the piping. Flap and pocket bag are separated before sewing so that the light barrier scans the flap length only. This manufacturing method does not require the subsequent attaching of the pocket bag to the piping projection. Thus the pocket opening remains flat and displacement-free.

Order No. Set of parts “Pocket bag on flap” **0745 597874**

Standard checking



- In the machine parameters the mode “Pocket bag on flap” has to be set. (See Programming Instructions, chapter 7.2) The lifted left clamp moves to the loading position 10 mm further to the left. Adjust the stops according to the Service Instructions chapter 4.4. Select the mode “**Pocket bag on flap**” (See Programming Instructions, chapter 7.2)
- In the pocket parameters the parameter “Blowing of pocket bag/piping” has to be set to mode 5 “Blowing of pocket bag on flap”. For selecting the parameter “Blowing of pocket bag/piping” see Programming Instructions, chapter 6.4.
- The stroke of the lifted left feeding clamp must not exceed 15 mm (standard 20 mm). For adjusting the feeding clamp stroke see Service Instructions chapter 4.3.
- When working with this set of parts the front positioning point **must** be used to guarantee that flap and pocket bag are securely separated when running into the folder.
- The rear marking lamp and the rear flap stop have to be set to the flap length to be sewn.
- In order to guarantee a trouble-free sewing process the pocket bag must lie at least 10 mm in front of the flap. The piping projection must not exceed 10 mm as well.



Positioning and starting the sewing cycle

Example: Right jacket front part

1. With automatic piping incision
Position the piping strip 2 at the front stop 8.
Position the piping strip also at the lateral stop 3.
2. Step forward on the right pedal and hold it stepped down.
The left piping clamp 4 opens.
3. Position the flap 5 at the lateral stop 6 and at the front stop 7.
4. Release the right pedal.
The left flap clamp closes.
5. Position the left pocket bag half 10 at the stop 9 above the flap 5.
6. Clamp pocket bag 10 and flap 5 together by stepping forward on the right pedal. Hold the flap with one finger so that it does not slip.
7. Release the right pedal. The left flap clamp 4 closes.
8. Step back on the right pedal and hold it stepped down.
The right flap clamp 12 opens.
9. Align the right pocket bag half 11 on the rest table at the positioning mark (e.g. thin adhesive tape).
10. Release the right pedal. The right flap clamp 12 closes.
11. Position the right jacket front part with the dart at the light spot.
12. Align the pocket incision at the lengthwise line of the light spot (center knife incision).
13. Step forward on the left pedal.
The transport carriage moves to the loading position.
The feeding clamps lower. The piping strip 2 is cut and taken up by the pick-up folder.
14. Step forward on the left pedal.
The pick-up folder 13 lowers with the piping strip.
15. The left flap feed with the flap and the left pocket bag half as well as the right flap feed with the right pocket bag half swivel in.
16. Step forward on the left pedal. The flap clamps close.
The flap feeds open, lift and swivel out.
17. Step forward on the left pedal. The sewing cycle starts.
During the feeding process the pocket bag 10 is blown by air for a better running into the folder.

2.16.12 Zipper feeders for method B

Zipper feeders are available for the processing of cut-to-length zippers, without slider, total width 24 mm, chain width approx. 4 mm, in four different variants:

Order No.: **0745 597764**

Right zipper feeder, in case of ready-made pocket chain inside, in conjunction with feeding device 0745 517574

Order No.: **0745 597774**

Left zipper feeder, in case of ready-made pocket chain inside, in conjunction with feeding device 0745 507564

Order No.: **0745 597784**

Right zipper feeder, in case of ready-made pocket chain outside, in conjunction with feeding device 0745 517574

Order No.: **0745 597794**

Left zipper feeder, in case of ready-made pocket chain outside, in conjunction with feeding device 0745 517564



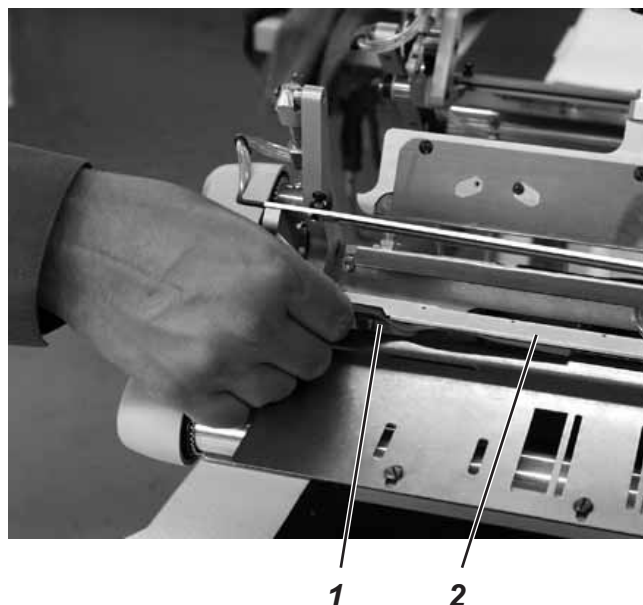
Precondition

In the pocket parameters the parameter “**Flap feeding mode**” must be set to mode 2 “**Flap feed swivelled in during the sewing operation**”.

(See Programming Instructions, chapter 6.4)

Function and operation

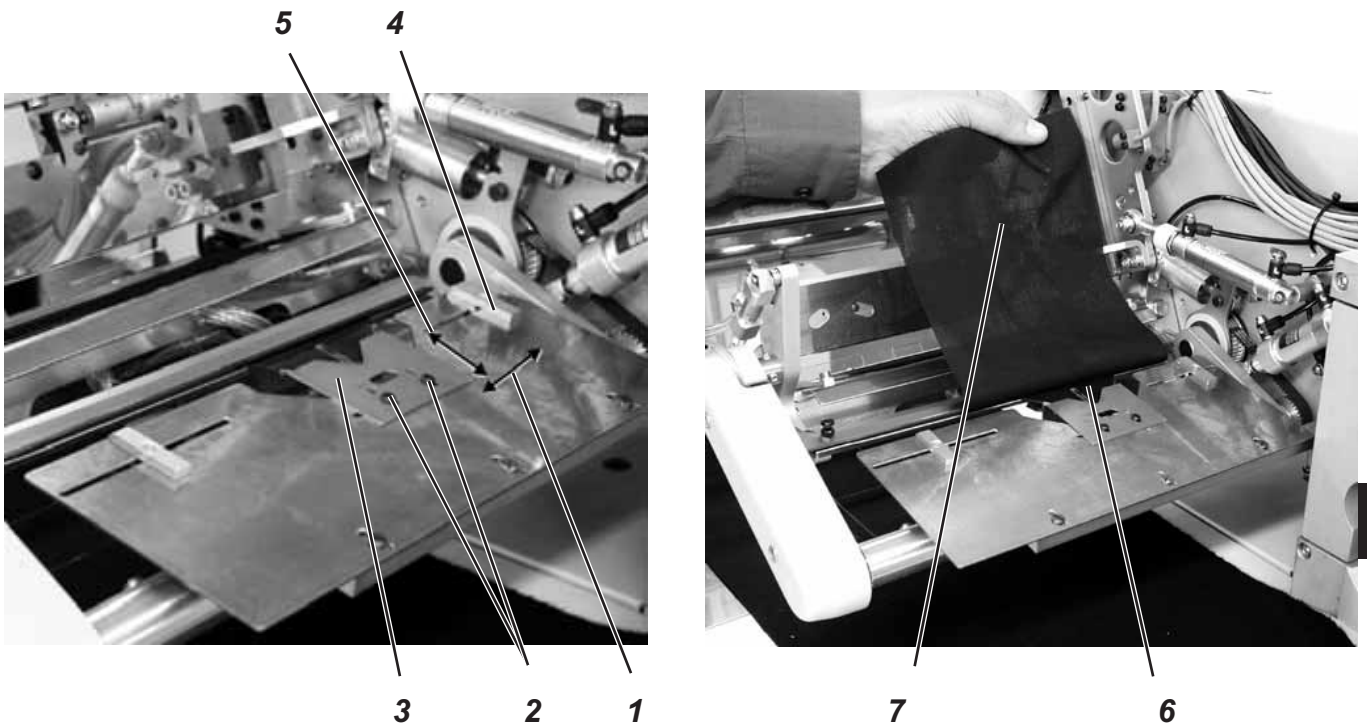
- Cut the zipper to length.
- Push the cut-to-length zipper 1 into the guide bar 2 up to a positioning mark fitted on the rest table (thin adhesive tape).
- If required, position and feed pocket bag and start the sewing cycle.



2.16.13 Set of parts “Shaped guide Lining loop triangle” for 745-34-2 methods B and F

With this equipment the lining loop triangle is automatically fed with the pocket bag when sewing inside pockets. Only in conjunction with the methods B and F.

Order No.: 0745 597614



Adjusting the shaped guide

- Loosen the screws 2.
- Adjust the shaped guide 3 in sewing direction 1 to the middle of the pocket length.
- Set the sew-in depth of the lining loop triangle 6 by lateral shifting 5 of the shaped guide 3.
- Tighten the screws 2.

Function and operation

- Insert the lining loop triangle 6 in the shaped guide 3.
- Position the pocket bag 7 at stop 4 or positioning mark (thin adhesive tape).
- Clamp pocket bag and lining loop triangle together by stepping back on the right pedal. Hold the lining loop triangle with one finger so that it does not slip.
- Feed the pocket bag with lining loop triangle by stepping on the left pedal and start the sewing cycle.

2.16.14 Smoother for 745-34-2 A and B

The smoother 1 is used when sewing hind trousers parts. It is used together with the bundle clamp 2 and the table extension 3.

The roll off device will convey the finished workpiece out of the sewing unit. The smoother will then run lengthwise in order to smooth the finished workpiece held by the bundle clamp 2.



To control the smoother, the stacker signal will be used for that reason it must be activated:

Activate the stacker:



- Activate the stacker via the control panel in the menu “Machine parameter” (see programming instructions chapter 7.2)
The parameter indicates to the control that the sewing unit is equipped with a stacker.



- Switch on the stacker
Switch on the stacker in the menu “Pocket parameter” (see programming instructions chapter 6.4)

Function and operation:

Sewing process:

After the rolling off of the finished workpiece, the smoother 1 will run automatically back and forth. The workpiece will then be smoothed while being held by the bundle clamp 2.

Removing/Clamping

Press down the foot switch of the bundle clamp continuously. The smoother 1 will move to the end and will stay at its end position, as long as the foot switch is pressed down.



Caution: Danger of injury!

When removing or clamping the bundle or during the sewing process, stay away from the working range of the smoother.

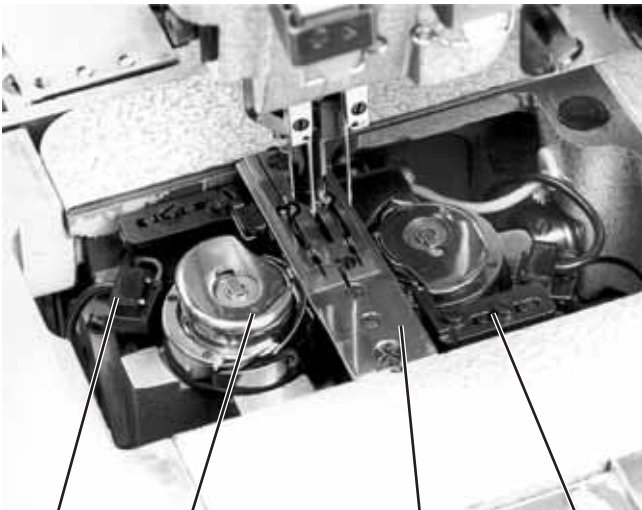
3. Maintenance



Caution: Danger of injury!

Switch the main switch off.
Carry out maintenance work only with the sewing unit switched off.

3.1 Cleaning

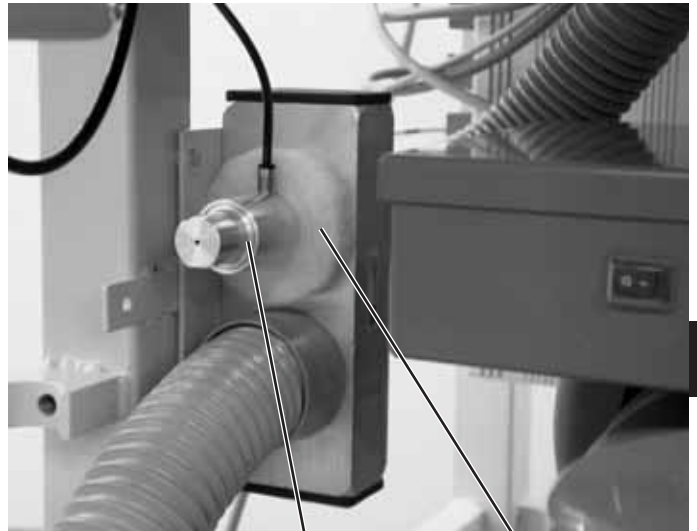


1

2

3

4



6

5

1

A clean sewing unit protects from malfunctions!

Clean and check daily:

- Clean the area around the hooks 2 and 3 with the compressed air pistol.
- When changing the bobbin always clean the lenses of the light barriers 1 and 4 of the remaining thread monitor with a **soft** cloth.
- Cleaning of the filter ring 5 at the vacuum valve 6:
Blow out with compressed air pistol.

Clean and check daily:

- Check the water level in the pressure regulator.
The water level must not reach the filter element.
After screwing in the drain screw 1 blow the water out of the water separator 2 under pressure.
The filter element separates dirt and condensed water. After a certain time of operation wash the dirty filter tray and the filter element with benzine and blow clean with the compressed air pistol.



ATTENTION!

Do not use any solvents for washing out the filter tray and the filter element!
They destroy the filter tray.



2

1

Check and clean weekly

With the sewing units with automatic piping incision 0745 337554



2

3

2



1

1

- Loosen screw 2 and remove the stop 3.
- Clean the surroundings of the cutting unit and transport
- Mount the stop 3 again.

3.2 Weekly lubrication

For lubrication of the sewing unit use exclusively the lubricating oil **DA-10**.

The oil can be bought from the sales offices of **DÜRKOPP ADLER AG**.

Order-No.: 9047 000011 = 250 ml

Order-No.: 9047 000012 = 1 l

Order-No.: 9047 000013 = 2 l

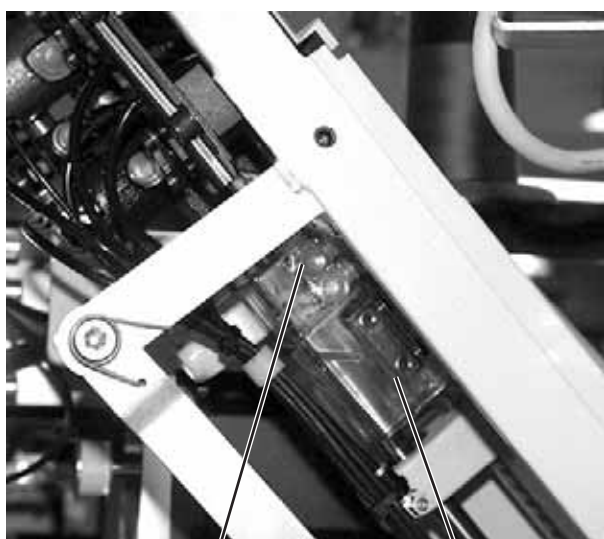
Order-No.: 9047 000014 = 5 l

Checking the oil level in the oil reservoir 3 for the lubrication of the machine head

- Tilt the machine head up (see chapter 2.3).
- The oil level in the oil reservoir 3 must not drop below the marking "Min".
- If necessary, fill oil through the drill-hole in the inspection glass up to the marking "Max".

Checking the oil level in the oil reservoir 6 for the lubrication of the hook

- Tilt the machine head up (see chapter 2.3).
- Fill up the oil reservoir 6 through the nipple 5 up to the marking "Max" (see sketch).



5

6

